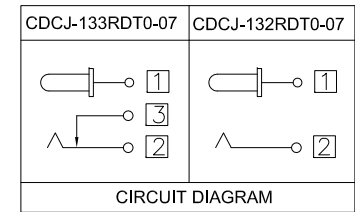
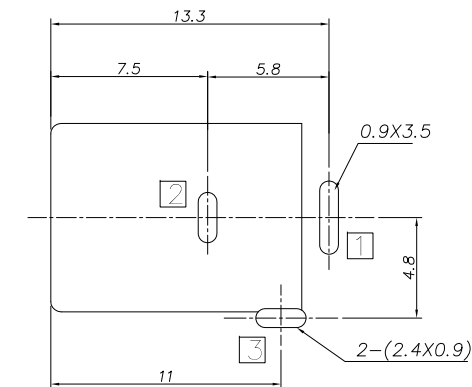
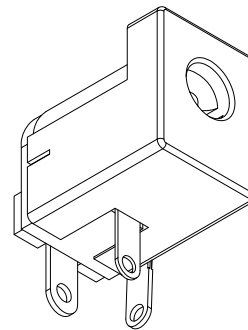


DC MATE PLUG

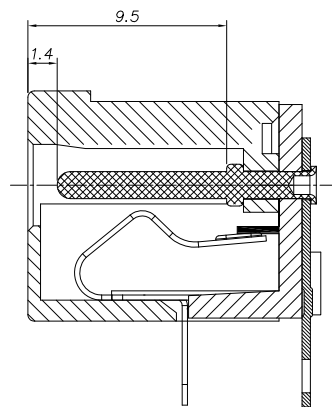


Specification:

1. Rating: DC 20V 4A.
2. Contact Resistance: 0.05Ω Max.  
After Life Test: 0.10Ω Max.
3. Insulation Resistance: 100MΩ Min. (500V DC)  
After Life Test: 50MΩ Min.
4. Withstand Voltage: 500V AC.
5. Insertion and Extraction Force: 3N~30N.
6. Life Test: 5,000 Cycles Min.
7. Operation Temperature Range: -20°C~70°C.
8. Respervation Temperature Range: -40°C~85°C.



RECOMMENDED P. C. B. LAYOUT  
UNSPECIFIED TOLERANCE: ±0.05  
(COPPER-SIDED VIEW)



SECTION A-A

Part Number:

CDCJ-13XRDT0-07

DC Power Jack  
XX: Center Pin  
13:1.30mm

07: Product Number  
0: Black Color  
T: Tin Plating  
D: DIP Type  
R: Right Angle  
X: XPins

6	SHUNT TERMINAL	③	1	BRASS 0.35T	Tin Plating
5	TIP SPRING	②	1	STAINLESS STEEL 0.25T	Tin Plating
4	CENTER PIN TERMINAL	①	1	BRASS 0.4T	Tin Plating
3	CENTER PIN	①	1	BRASS	CuSn/Ninckel Plating
2	COVER		1	THERMOPLASTIC, UL94 V-0	Black
1	HOUSING		1	THERMOPLASTIC, UL94 V-0	Black

NO.	DESCRIPTION	QTY	MATERIAL	REMARK
1		2		
3				
4				

A	05/10/12	RELEASED FOR PRODUCTION	
REV	DATE	DESCRIPTION	
UNLESS OTHERWISE SPECIFIED DIMENSIONS ARE IN MM TOLERANCES ARE:			
DECIMALS	ANGLES	APPROVALS	DATE
.X ± .38	± 3°	DRAWN Chris	05/10/12
.XX ± .25		CHECKED Cindy	05/10/12
.XXX ± .20		APPV Jason	05/10/12
DO NOT SCALE DRAWING		SHEET 1 OF 1	SCALE NONE
		DWG. NO. CDCJ-XXX-007	REV. A



凱聯科技股份有限公司  
Conn-Link Technology Inc.

DESCRIPTION DC Power Jack, Right Angle, DIP Type  
1.3mm/3.9mm, Tin Plating