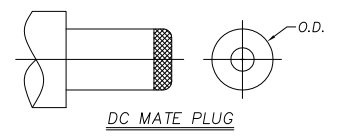
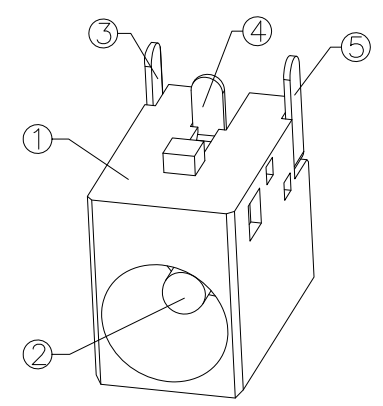
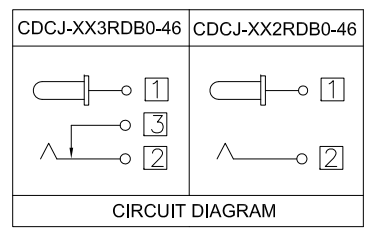


RECOMMENDED P. C. B. LAYOUT
 UNSPECIFIED TOLERANCE: ±0.10
 (COPPER-SIDED VIEW)



Part No.	CDCJ-16XRDB0-46	CDCJ-20XRDB0-46	CDCJ-23XRDB0-46	CDCJ-25XRDB0-46
PIN	∅1.65	∅2.0	∅2.35	∅2.5
DC MATE PLUG	∅4.75	∅5.5	∅5.5	∅5.5

Specification:

- Rating: DC 20V 3A
- Contact Resistance: 0.03Ω Max.
After Life Test: 0.05Ω Max.
- Insulation Resistance: 100MΩ Min. (500V DC)
After Life Test: 50MΩ Min.
- Withstand Voltage: 500V AC.
- Insertion and Extraction Force: 3N~30N.
- Life Test: 5,000 Cycles Min.
- Operation Temperature Range: -20°C~70°C.
- Reservation Temperature Range: -40°C~85°C.

Part Number:

CDCJ-XXXRDB0-46

- DC Power Jack
 XX: Center Pin
 16: 1.65mm
 20: 2.0mm
 23: 2.35mm
 25: 2.5mm
- 46: Product Number
 0: Black Color
 B: Ag Plating
 D: DIP Type
 R: Right Angle
 2: 2Pins
 3: 3Pins

NO.	DESCRIPTION	QTY	MATERIAL	REMARK
5	SHUNT TERMINAL ③	1	BRASS 0.3T	Silver Plating
4	TIP SPRING ②	1	SUS301 0.3T	Silver Plating
3	CENTER PIN TERMINAL ①	1	BRASS 0.3T	Silver Plating
2	CENTER PIN ①	1	BRASS	Ninckel Plating
1	HOUSING	1	PA9T, UL94 V-0	Black

A	04/19/12	RELEASED FOR PRODUCTION	
REV	DATE	DESCRIPTION	
UNLESS OTHERWISE SPECIFIED, DIMENSIONS ARE IN MM. TOLERANCES ARE:			
DECIMALS	ANGLES		
.X ± .38	± 3°		
.XX ± .25			
.XXX ± .20			
DO NOT SCALE DRAWING			
SHEET 1 OF 1		SCALE NONE	DWG. NO. CDCJ-XXX-046



DESCRIPTION DC Power Jack, Center Pin X.XXmm/6.0mm Right Angle, DIP, H=9.5mm, Black Color

A
B
C
D

A
B
C
D