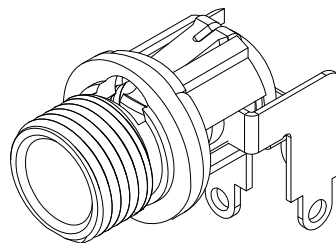
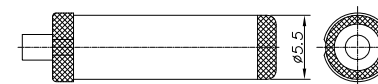
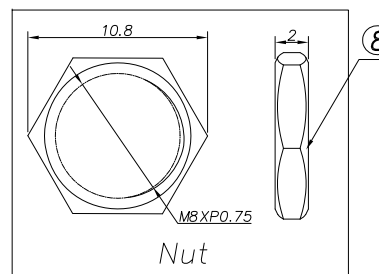
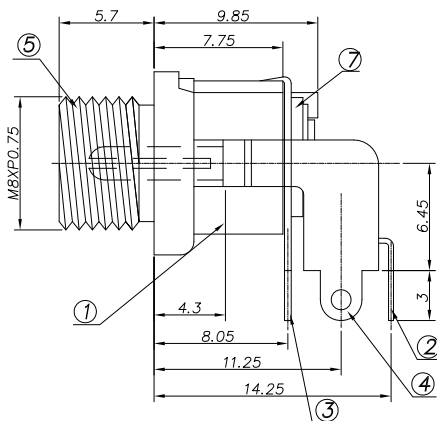
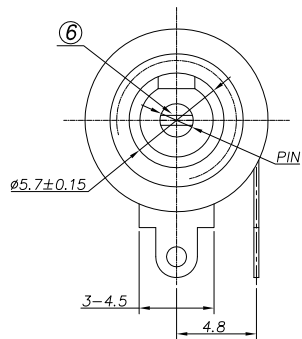


RECOMMENDED P. C. B. LAYOUT
 UNSPECIFIED TOLERANCE: ± 0.05
 (Printed-sided VIEW)

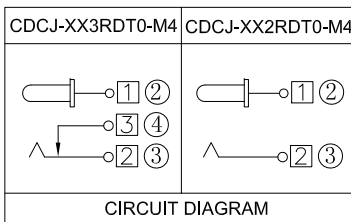


Specification:

1. Rating: DC 30V 3.0A
2. Contact Resistance: 0.03Ω Max.
After Life Test: 0.05Ω Max.
3. Insulation Resistance: 100MΩ Min. (500V DC)
After Life Test: 50MΩ Min.
4. Withstand Voltage: 500V AC.
5. Insertion and Extraction Force: 3N~30N.
6. Life Test: 5,000 Cycles Min.
7. Operation Temperature Range: -20°C~70°C.
8. Respiration Temperature Range: -40°C~85°C.



DC MATE PLUG



Part No.	CDCJ-20XRDT0-M4	CDCJ-25XRDT0-M4
PIN	φ2.0	φ2.5

Part Number:

CDCJ-XXXRDT0-M4

DC Power Jack
 XX: Center Pin
 20:2.00mm
 25:2.50mm

M4: Product Number
 0: Black Color
 T: Tin Plating
 D: DIP Type
 R: Right Angle
 2: 2Pins
 3: 3Pins

8	NUT	1	BRASS	Nickel Plating
7	WASHER	1	BAKELITE	
6	CENTER PIN	1	PHOSPHOR BRONZE	Nickel Plating
5	BUSHING	1	BRASS	Nickel Plating
4	SHUNT TERMINAL	1	PHOSPHOR BRONZE	Cu/Sn Plating
3	TIP SPRING	1	BRASS	Cu/Sn Plating
2	CENTER PIN TERMINAL	1	BRASS	Cu/Sn Plating
1	HOUSING	1	PBT, UL94 V-0	Black
NO.	DESCRIPTION	QTY	MATERIAL	REMARK

A	07/08/09	RELEASED FOR PRODUCTION
REV	DATE	DESCRIPTION
UNLESS OTHERWISE SPECIFIED, DIMENSIONS ARE IN MM. TOLERANCES ARE:		
DECIMALS	ANGLES	
.X ± .38		± 3°
.XX ± .25		
.XXX ± .20		
DO NOT SCALE DRAWING		

CAD GENERATED DRAWING, DO NOT MANUALLY UPDATE	
APPROVALS	DATE
DRAWN Chris	07/08/09
CHECKED Cindy	07/08/09
APPV Jason	07/08/09
SHEET 1 OF 1	SCALE NONE

DESCRIPTION
 DC Power Jack, 2.0mm or 2.5mm Center Pin, Right Angle, DIP, With Screw, Black Color

DWG. NO. CDCJ-XXX-24M

REV. A

