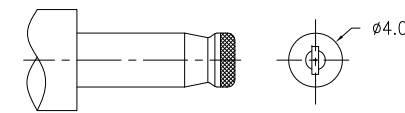


Specification:

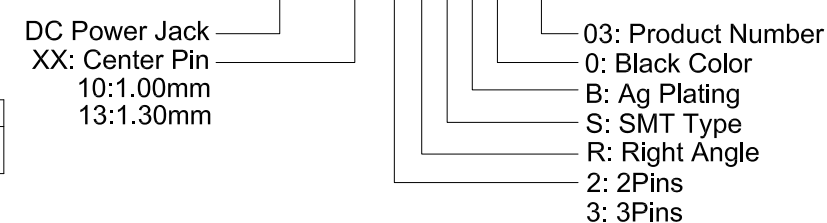
1. Rating: DC 18V 5A
2. Contact Resistance: 0.03Ω Max.
After Life Test: 0.05Ω Max.
3. Insulation Resistance: 100MΩ Min. (500V DC)
After Life Test: 50MΩ Min.
4. Withstand Voltage: 500V AC.
5. Insertion and Extraction Force: 3N~30N.
6. Life Test: 5,000 Cycles Min.
7. Operation Temperature Range: -20°C~70°C.
8. Respiration Temperature Range: -40°C~85°C.



DC MATE PLUG

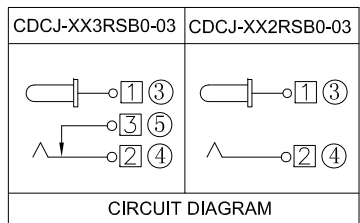
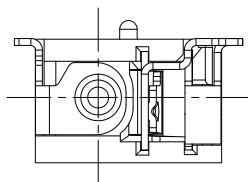
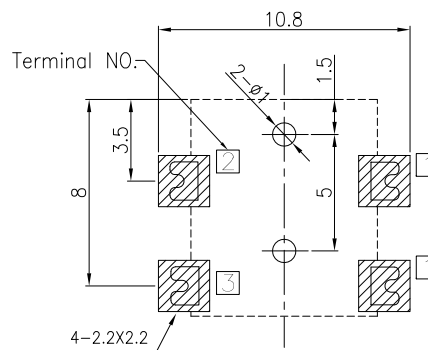
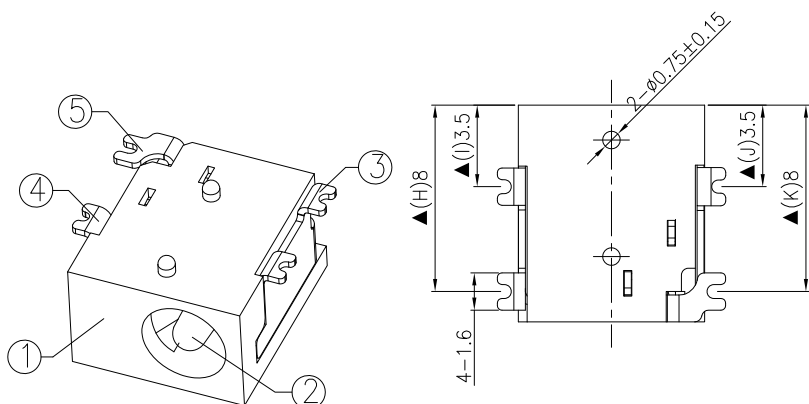
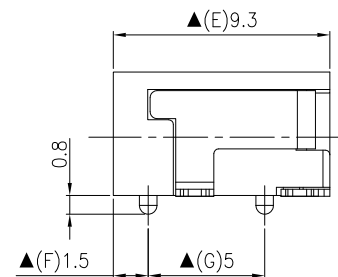
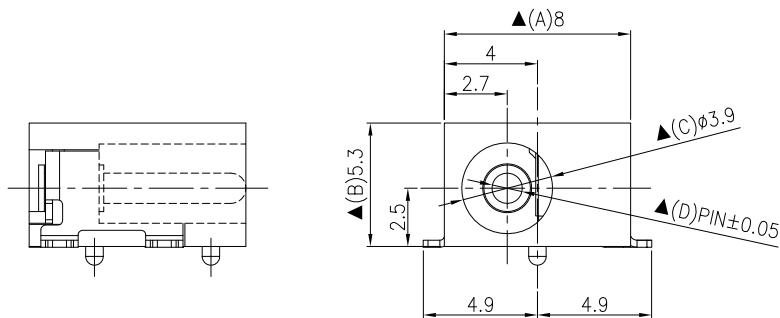
Part Number:

CDCJ-XXXRSB0-03



RECOMMENDED P. C. B. LAYOUT
UNSPECIFIED TOLERANCE: ±0.05
(Copper-sided VIEW)

Part No.	CDCJ-10XRSB0-03	CDCJ-13XRSB0-03
PIN	φ1.0	φ1.3



5	SHUNT TERMINAL	③	1	BRASS 0.3T	Silver Plating
4	TIP SPRING	②	1	PHOSPHOR BRONZE 0.3T	Silver Plating
3	CENTER PIN TERMINAL	①	1	BRASS 0.3T	Silver Plating
2	CENTER PIN	①	1	BRASS	CuSn/Ni Plating
1	HOUSING		1	PA9T, UL94 V-0	Black
NO.	DESCRIPTION	QTY		MATERIAL	REMARK

A	04/01/11	RELEASED FOR PRODUCTION	
REV	DATE	DESCRIPTION	
UNLESS OTHERWISE SPECIFIED, DIMENSIONS ARE IN MM. TOLERANCES ARE:		CAD GENERATED DRAWING, DO NOT MANUALLY UPDATE	
DECIMALS	ANGLES	APPROVALS	DATE
.X ± .38	± 3°	DRAWN Chris	04/01/11
.XX ± .25		CHECKED Cindy	04/01/11
.XXX ± .20		APPV Jason	04/01/11
DO NOT SCALE DRAWING		SHEET 1 OF 1	SCALE NONE
		DWG. NO. CDCJ-XXX-003	REV. A



DC Power Jack, 1.0mm or 1.3mm Center Pin, Right Angle, SMT, Ag Plating, Black Color