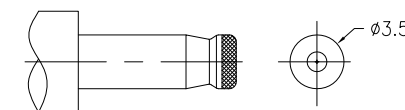
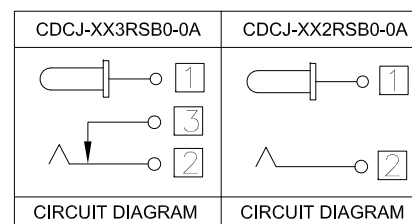


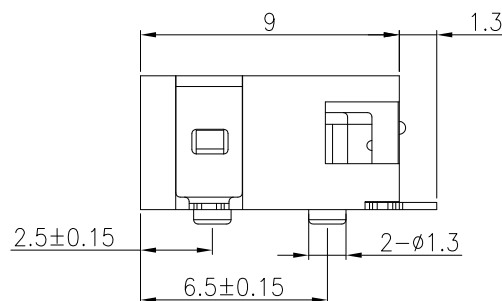
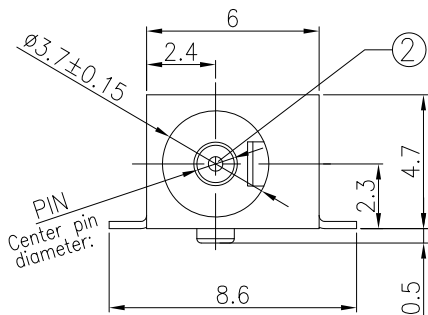
Specification:

1. Rating: DC 12V 2Amp.
2. Contact Resistance: 0.03Ω Max.
After Life Test: 0.05Ω Max.
3. Insulation Resistance: 100MΩ Min. (250V DC)
After Life Test: 50MΩ Min.
4. Withstand Voltage: 500V AC.
5. Insertion and Extraction Force: 3N~30N.
6. Life Test: 5,000 Cycles Min.
7. Operation Temperature Range: -20°C~70°C.
8. Respiration Temperature Range: -40°C~85°C.

RECOMMENDED P. C. B. LAYOUT
UNSPECIFIED TOLERANCE: ±0.05
(Copper-sided VIEW)



DC MATE PLUG



Part Number:

CDCJ-XXXRSB0-92

DC Power Jack
XX: Center Pin
10:1.00mm
13:1.30mm

92: Product Number
0: Black Color
B: Ag Plating
S: SMT Type
R: Right Angle
2: 2Pins
3: 3Pins

Part No.	CDCJ-10XRSB0-92	CDCJ-13XRSB0-92
PIN	φ1.0	φ1.3

NO.	DESCRIPTION	QTY	MATERIAL	REMARK
6	FRAME	④ 1	COPPER ALLOY T=0.25	Ag Plating
5	SHUNT TERMINAL	③ 1	COPPER ALLOY T=0.25	Ag Plating
4	TIP SPRING	② 1	COPPER ALLOY T=0.30	Ag Plating
3	CENTER PIN TERMINAL	① 1	COPPER ALLOY T=0.25	Ag Plating
2	CENTER PIN	① 1	COPPER ALLOY	CuSn Plating
1	HOUSING	1	PA9T, UL94 V-0	Black

A	04/18/12	RELEASED FOR PRODUCTION	
REV	DATE	DESCRIPTION	
UNLESS OTHERWISE SPECIFIED, DIMENSIONS ARE IN MM. TOLERANCES ARE:		CAD GENERATED DRAWING, DO NOT MANUALLY UPDATE	
DECIMALS	ANGLES	APPROVALS	DATE
.X ± .38	± 3°	DRAWN Chris	04/18/12
.XX ± .25		CHECKED Cindy	04/18/12
.XXX ± .20		APPV Jason	04/18/12
DO NOT SCALE DRAWING		SHEET 1 OF 1	SCALE NONE
		DWG. NO. CDCJ-XXX-092	REV. A



DESCRIPTION DC Power Jack, 1.0mm or 1.3mm Center Pin, Right Angle, SMT, Ag Plating, Black Color