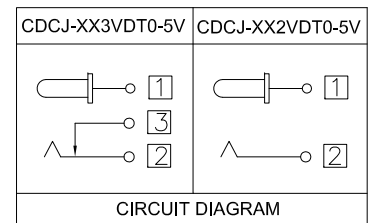
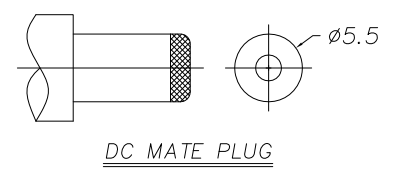


Part No.	CDCJ-20XVDT0-5V	CDCJ-23XVDT0-5V	CDCJ-25XVDT0-5V
PIN	∅2.0	∅2.35	∅2.5



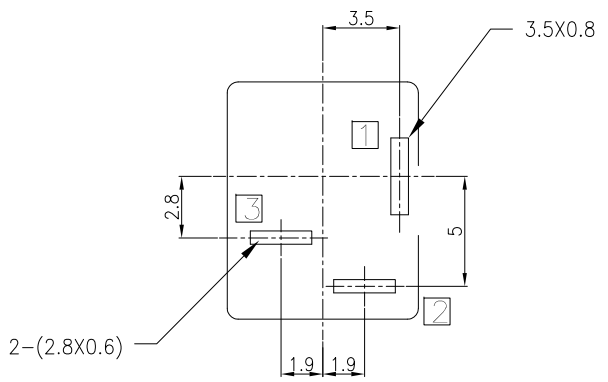
Specification:

1. Rating: DC 20V 2.5A.
2. Contact Resistance: 0.05Ω Max.
After Life Test: 0.10Ω Max.
3. Insulation Resistance: 100MΩ Min. (500V DC)
After Life Test: 50MΩ Min.
4. Withstand Voltage: 500V AC.
5. Insertion and Extraction Force: 3N~30N.
6. Life Test: 5,000 Cycles Min.
7. Operation Temperature Range: -20°C~70°C.
8. Respiration Temperature Range: -40°C~85°C.

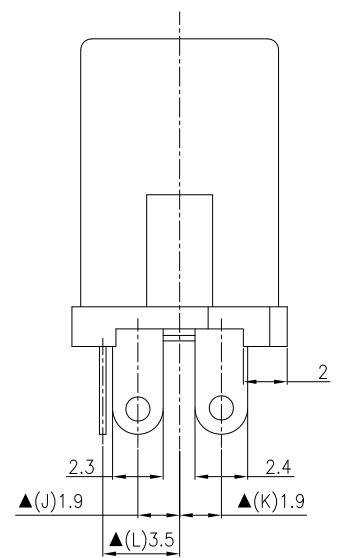
Part Number:

CDCJ-XXXVDB0-5V

- DC Power Jack
- XX: Center Pin
- 20:2.0mm
- 23:2.35mm
- 25:2.5mm
- 5V: Product Number
- 0: Black Color
- B: Ag Plating
- D: DIP Type
- V: Vertical Type
- X: XPins



RECOMMENDED P. C. B. LAYOUT
UNSPECIFIED TOLERANCE: ±0.05
(COPPER-SIDED VIEW)



6	SHUNT TERMINAL	3	1	BRASS 0.3T	Ag Plating
5	TIP SPRING	2	1	STAINLESS STEEL 0.2T	Ag Plating
4	CENTER PIN TERMINAL	1	1	BRASS 0.35T	Ag Plating
3	CENTER PIN	1	1	BRASS	CuSn/Ninckel Plating
2	COVER		1	PA9T, UL94 V-0	Black
1	HOUSING		1	PA9T, UL94 V-0	Black
NO.	DESCRIPTION	QTY		MATERIAL	REMARK

A	04/20/11	RELEASED FOR PRODUCTION	
REV	DATE	DESCRIPTION	
UNLESS OTHERWISE SPECIFIED, DIMENSIONS ARE IN MM. TOLERANCES ARE:			
DECIMALS	ANGLES		
.X ± .38	± 3°		
.XX ± .25			
.XXX ± .20			
DO NOT SCALE DRAWING		SHEET 1 OF 1	SCALE NONE
		DWG. NO. CDCJ-XXX-12A	REV. A

DESCRIPTION: DC Power Jack, Vertical Type, DIP Type
Tin Plating, Black Color