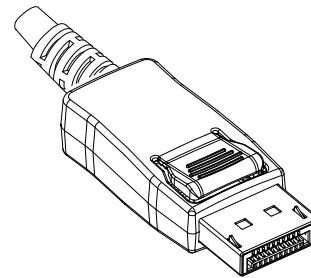


Pin No.	Signal Type	Pin No.	Signal Type
1	Out	11	GND
2	GND	12	Out
3	Out	13	CONFIG
4	Out	14	CONFIG
5	GND	15	I/O
6	Out	16	GND
7	Out	17	I/O
8	GND	18	In
9	Out	19	PWR RTN
10	Out	20	PWR Out



NOTES:

1. Material:

Housing: LCP, UL94V-0 Rated.

Color: Black.

Contact: Phosphor Bronze.

Plating: Gold Plating over Nickel on Contact Area.
Tin Plating on Solder Tail.

Shell: Brass.

Plating: Nickel Plating.

Spring: Stainless Steel (SUS 304).

2. Electrical Specification:

Operation Voltage: 40VAC Max.

Current Rating: 0.5 Ampere per Contact.

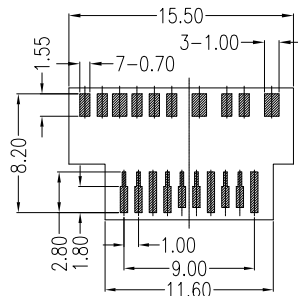
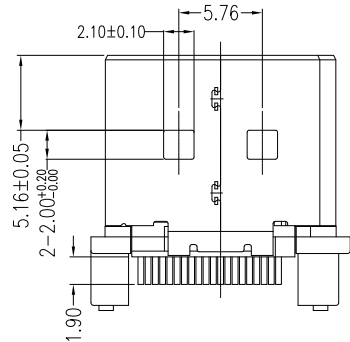
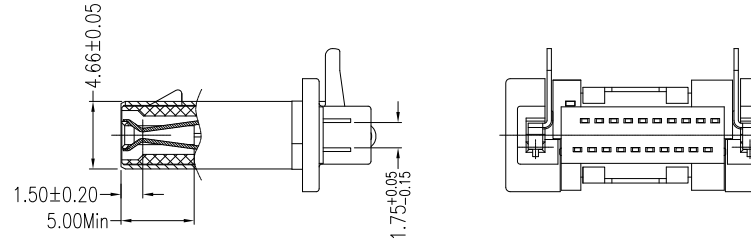
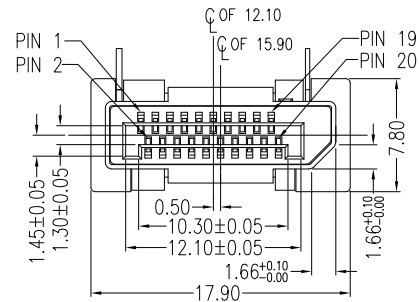
Contact Resistance: 30mΩ Max.

Insulation Resistance: 100MΩ Min.

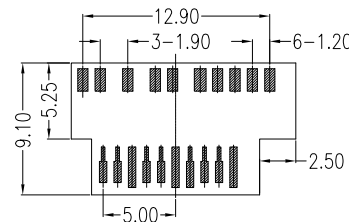
Dielectric Withstanding Voltage: 500V AC Min.

3. Environmental:

Operating Temperature: -20°C to +85°C



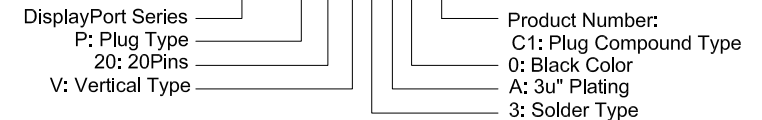
PCB LAYOUT T=1.60mm(Front View)
COMPONENT SIDE



PCB LAYOUT T=1.60(Back View)
COMPONENT SIDE

Part Number:

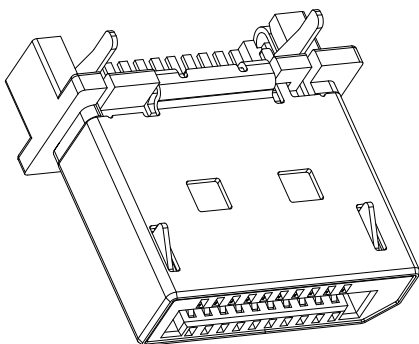
CDPC-P20V3A0-C1



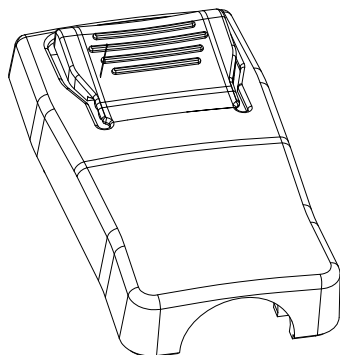
A	01/30/13	RELEASED FOR PRODUCTION	
REV	DATE	DESCRIPTION	
UNLESS OTHERWISE SPECIFIED DIMENSIONS ARE IN MM TOLERANCES ARE:		CAD GENERATED DRAWING, DO NOT MANUALLY UPDATE	
DECIMALS	ANGLES	APPROVALS	DATE
.X ± .38	± 3°	DRAWN Chris	01/30/13
.XX ± .25		CHECKED Cindy	01/30/13
.XXX ± .20		APPV Jason	01/30/13
DO NOT SCALE DRAWING	SHEET 1 OF 2	SCALE NONE	DWG. NO. CDPC-P20-C01
		DESCRIPTION DisplayPort Connector 20P, Plug Type Compound, for Cable Assembly	
		REV. A	



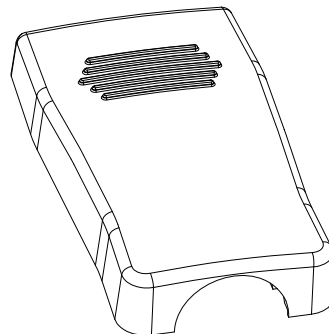
Connector



Top Cover



Bottom Cover

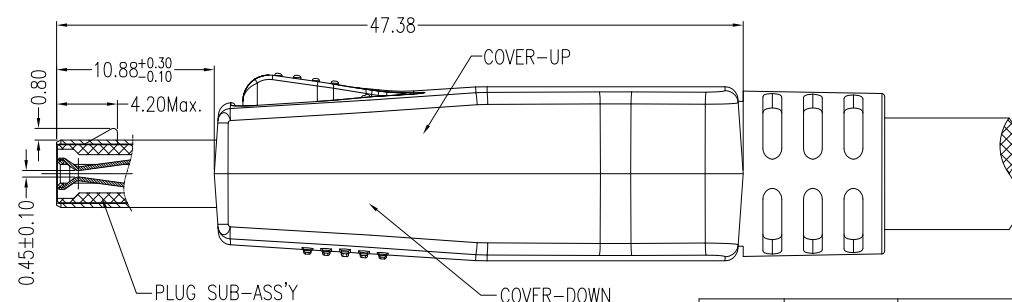
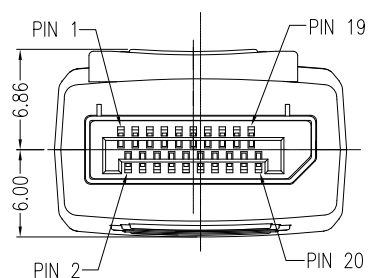
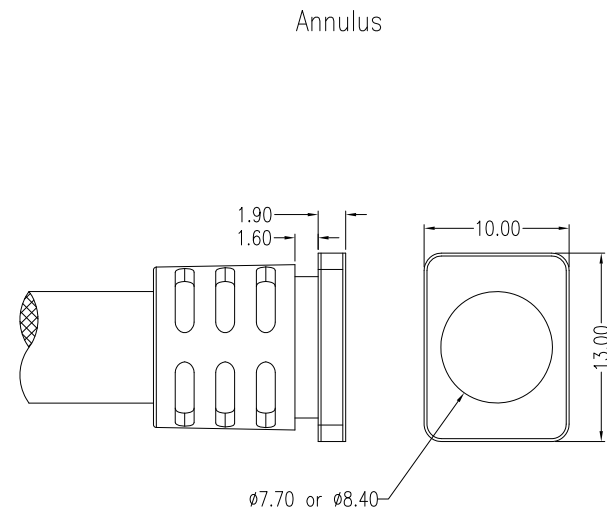
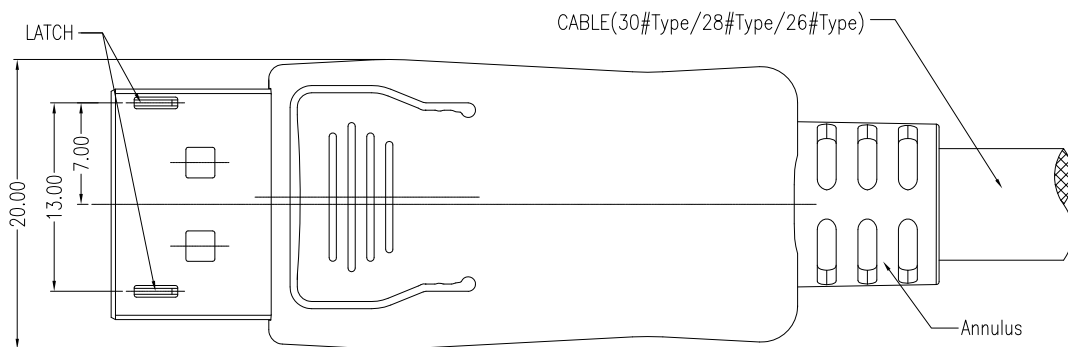


NOTES:

1. Material:

Top Cover: Nylon66, UL 94V-0 Rated.
Color: Black.

Bottom Cover: Nylon66, UL 94V-0 Rated.
Color: Black.



A	01/30/13	RELEASED FOR PRODUCTION	
REV	DATE	DESCRIPTION	
UNLESS OTHERWISE SPECIFIED DIMENSIONS ARE IN MM TOLERANCES ARE:		CAD GENERATED DRAWING, DO NOT MANUALLY UPDATE	
DECIMALS	ANGLES	APPROVALS	DATE
.X \pm .38	$\pm 3^\circ$	DRAWN Chris	01/30/13
.XX \pm .25		CHECKED Cindy	01/30/13
.XXX \pm .20		APPV Jason	01/30/13
DO NOT SCALE DRAWING	SHEET 2 OF 2	SCALE NONE	DWG. NO. CDPC-P20-C01



DisplayPort Connector 20P, Plug Type Compound, for Cable Assembly

REV. A