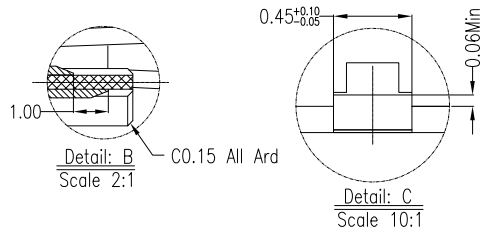
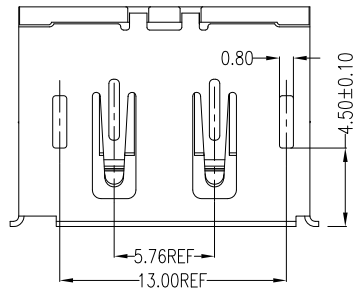


A



No.	Signal Type	No.	Signal Type
1	In	11	GND
2	GND	12	In
3	In	13	CONFIG(see note 1)
4	In	14	CONFIG(see note 1)
5	GND	15	I/O
6	In	16	GND
7	In	17	I/O
8	GND	18	Out
9	In	19	RTN
10	In	20	Power Out(see note 2)

NOTES:

1. Material:

Housing: LCP+50%G.F, UL94V-0 Rated.
 Color: Black.
 Contact: Brass.
 Plating: Gold Plating over Nickel on Contact Area.
 Tin Plating on Solder Tail.
 Shell: Brass.
 Plating: Nickel Plating.

2. Mechanical:

Insertion Force: 4.5Kgf Max.
 Withdrawal Force: 1.0~4.0Kgf.

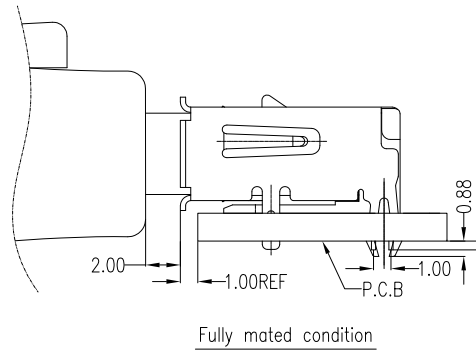
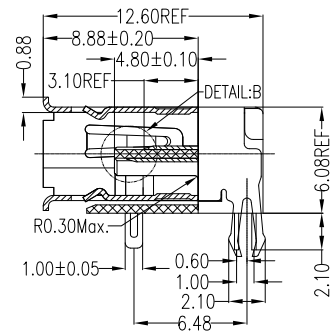
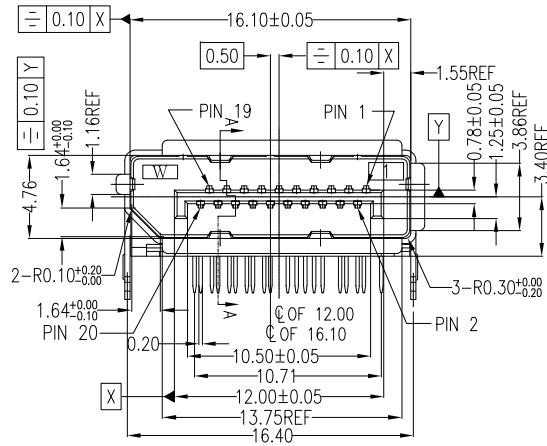
3. Electrical Specification:

Operation Voltage: 40VAC Max.
 Current Rating: 0.5 Ampere per Contact.
 Contact Resistance: 30mΩ Max.
 Insulation Resistance: 100MΩ Min.
 Dielectric Withstanding Voltage: 500V AC Min.

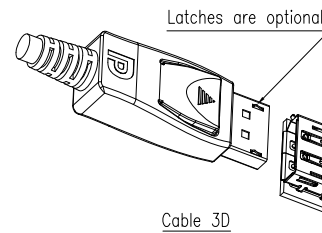
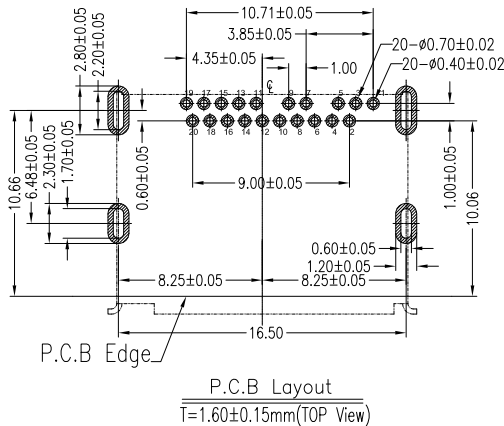
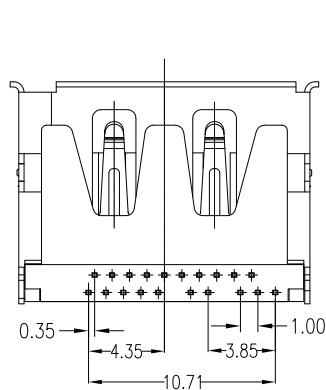
4. Environmental:

Operating Temperature: -20°C to +85°C

B



C



Part Number:

CDPC-R20RD40-E5

DisplayPort Series
 R: Receptacle Type
 20: 20Pins
 R: Right Angle

Product Number:
 E5: 2Rows DIP Type
 0: Black Color
 4: 30u" Plating
 D: DIP Type

D

A	11/19/08	RELEASED FOR PRODUCTION	
REV	DATE	DESCRIPTION	
UNLESS OTHERWISE SPECIFIED DIMENSIONS ARE IN MM TOLERANCES ARE:		CAD GENERATED DRAWING, DO NOT MANUALLY UPDATE	
DECIMALS	ANGLES	APPROVALS	DATE
.X ± .38	± 3°	DRAWN Chris	11/19/08
.XX ± .25		CHECKED Cindy	11/19/08
.XXX ± .20		APPV Jason	11/19/08
DO NOT SCALE DRAWING		SHEET 1 OF 1	SCALE NONE
		DWG. NO. CDPC-R20-E05	REV. A



DisplayPort Connector 20P, Receptacle 2Rows DIP Type, Without Flange