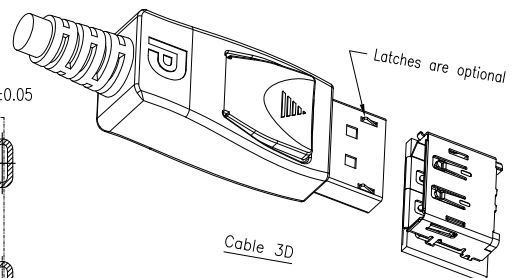
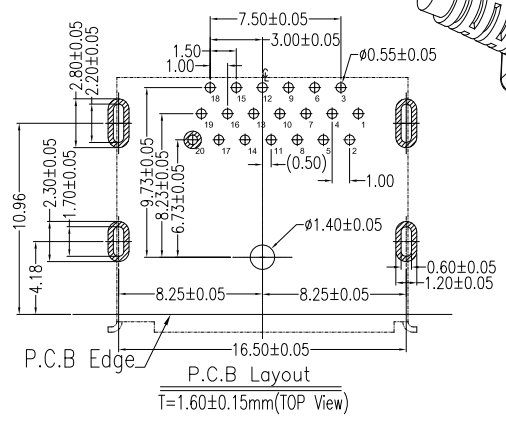
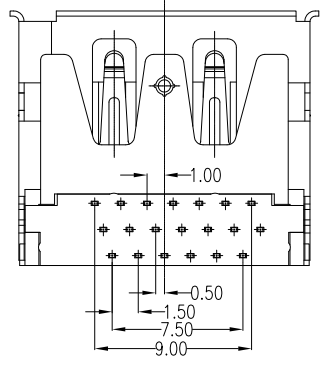
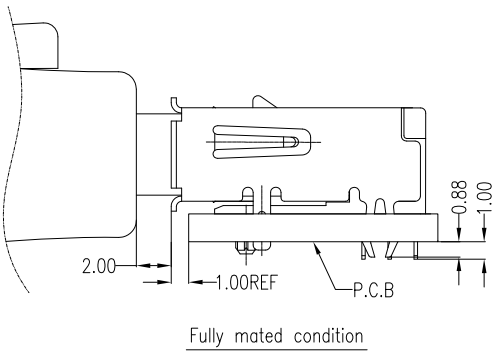
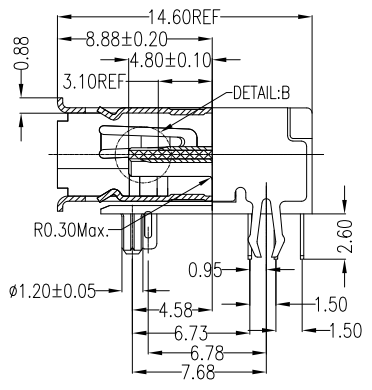
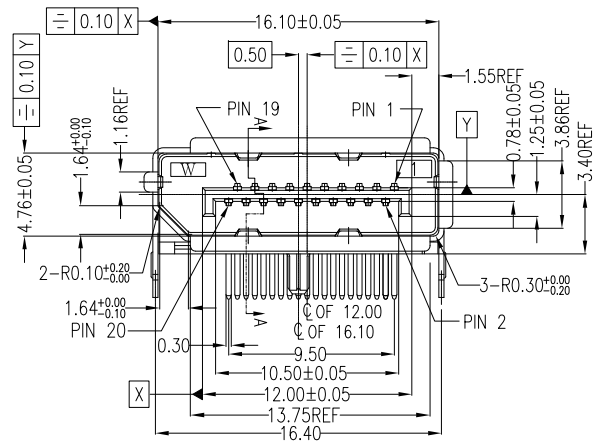


Pin No.	Signal Type	Pin No.	Signal Type
1	In	11	GND
2	GND	12	In
3	In	13	CONFIG(see note 1)
4	In	14	CONFIG(see note 1)
5	GND	15	I/O
6	In	16	GND
7	In	17	I/O
8	GND	18	Out
9	In	19	RTN
10	In	20	Power Out(see note 2)

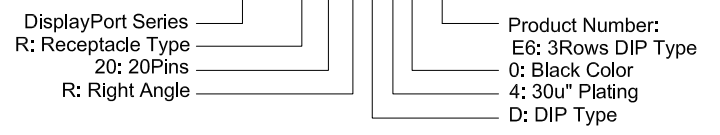
NOTES:


- Material:**
 Housing: LCP, UL94V-0 Rated.
 Color: Black.
 Contact: Brass.
 Plating: Gold Plating over Nickel on Contact Area.
 Tin Plating on Solder Tail.
 Shell: Brass.
 Plating: Nickel Plating.
- Mechanical:**
 Insertion Force: 4.5Kgf Max.
 Withdrawal Force: 1.0~4.0Kgf.
- Electrical Specification:**
 Operation Voltage: 40VAC Max.
 Current Rating: 0.5 Ampere per Contact.
 Contact Resistance: 30mΩ Max.
 Insulation Resistance: 100MΩ Min.
 Dielectric Withstanding Voltage: 500V AC Min.
- Environmental:**
 Operating Temperature: -20°C to +85°C



Part Number:

CDPC-R20RD40-E6



A	11/19/08	RELEASED FOR PRODUCTION		DESCRIPTION		
REV	DATE	DESCRIPTION				
UNLESS OTHERWISE SPECIFIED DIMENSIONS ARE IN MM TOLERANCES ARE:		CAD GENERATED DRAWING, DO NOT MANUALLY UPDATE				
DECIMALS	ANGLES	APPROVALS	DATE	 凱聯科技股份有限公司 Conn-Link Technology Inc.		
.X ± .38	± 3°	DRAWN	Chris			11/19/08
.XX ± .25		CHECKED	Cindy			11/19/08
.XXX ± .20		APPV	Jason			11/19/08
DO NOT SCALE DRAWING		SHEET	1 OF 1	SCALE	NONE	
		DWG. NO.	CDPC-R20-E06		REV. A	