

No.	Signal Type	No.	Signal Type
1	In	11	GND
2	GND	12	In
3	In	13	CONFIG(see note 1)
4	In	14	CONFIG(see note 1)
5	GND	15	I/O
6	In	16	GND
7	In	17	I/O
8	GND	18	Out
9	In	19	RTN
10	In	20	Power Out(see note 2)

**NOTES:**

**1. Material:**

Housing: LCP+50%G.F, UL94V-0 Rated.  
 Color: Black.  
 Contact: Phosphor Bronze.  
 Plating: Gold Plating over Nickel on Contact Area.  
 Tin Plating on Solder Tail.  
 Shell: Stainless Steel.  
 Plating: Nickel Plating.

**2. Mechanical:**

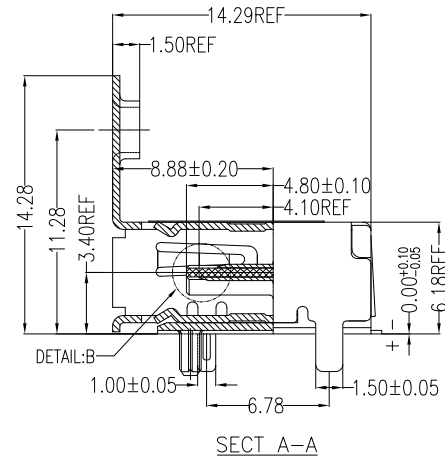
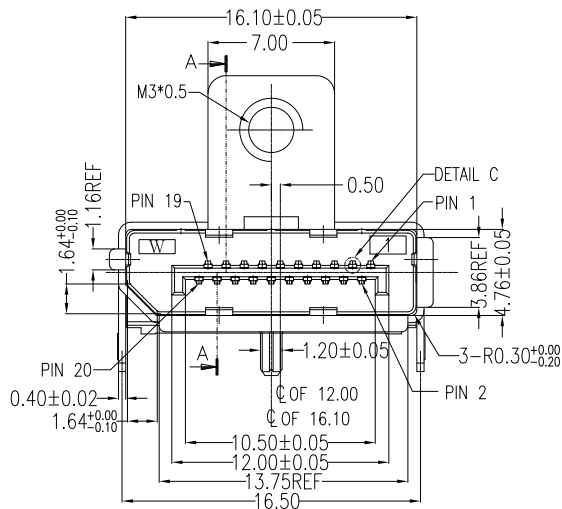
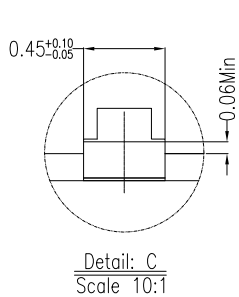
Insertion Force: 4.5Kgf Max.  
 Withdrawal Force: 1.0~4.0Kgf.  
 Female Screw Lock Torque: 3Kgf-cm Max.

**3. Electrical Specification:**

Operation Voltage: 40VAC Max.  
 Current Rating: 0.5 Ampere per Contact.  
 Contact Resistance: 30mΩ Max.  
 Insulation Resistance: 100MΩ Min.  
 Dielectric Withstanding Voltage: 500V AC Min.

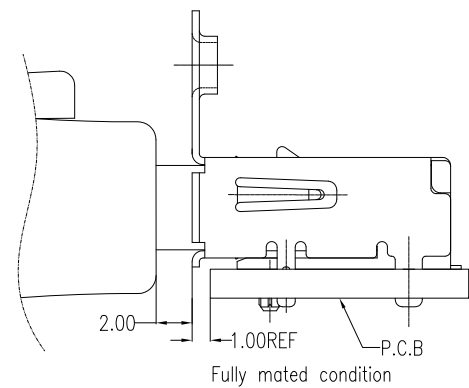
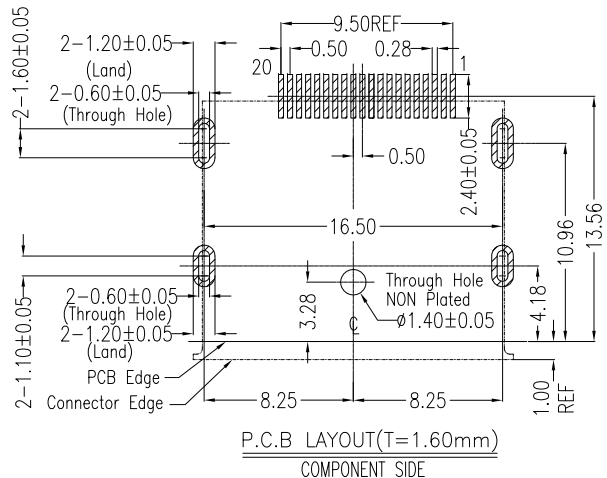
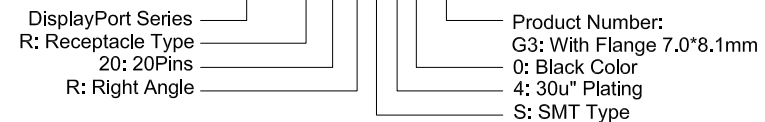
**4. Environmental:**

Operating Temperature: -20°C to +85°C



**Part Number:**

**CDPC-R20RS40-G3**



A	02/11/11	RELEASED FOR PRODUCTION		DESCRIPTION	
REV	DATE	UNLESS OTHERWISE SPECIFIED, DIMENSIONS ARE IN MM TOLERANCES ARE:			
		APPROVALS		DATE	
		DRAWN	Chris	02/11/11	
		CHECKED	Cindy	02/11/11	
		APPV	Jason	02/11/11	
DO NOT SCALE DRAWING		SHEET	1 OF 1	SCALE	NONE
		DWG. NO.	CDPC-R20-EG3		REV. A



DisplayPort Connector 20P, Receptacle  
 SMT Type, With Flange 7.0\*8.1mm