

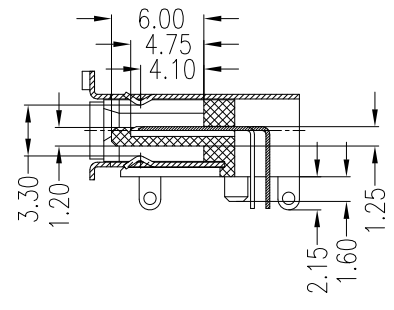
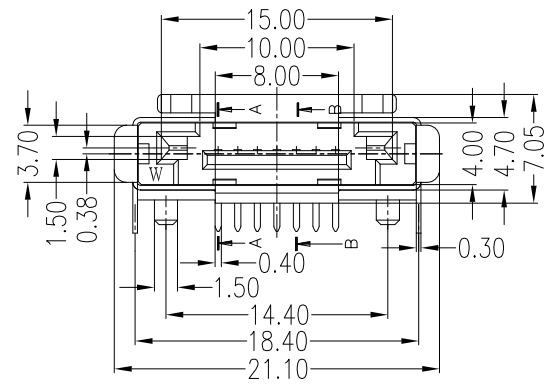
NOTES:

- Material:**
 Housing: LCP+50%G.F, UL 94V-0 Rated.
 Color: Black.
 Contact: Brass.
 Plating: Gold Plating over Nickel on Contact Area.
 Tin Plating on Solder Tail.
 Shell: Brass.
 Plating: Nickel Plating.

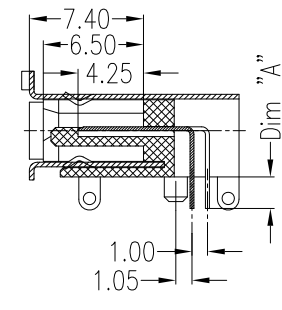
- Mechanical:**
 Insertion Force: 4080g Max.
 Withdrawal Force: 1020g Min.
 Durability: 2500 Cycles

- Electrical Specification:**
 Operation Voltage: 100VAC Max.
 Current Rating: 1.5 Ampere per Contact.
 Contact Resistance: 30mΩ Max.
 Insulation Resistance: 1000MΩ Min.
 Dielectric Withstanding Voltage: 500 VAC.

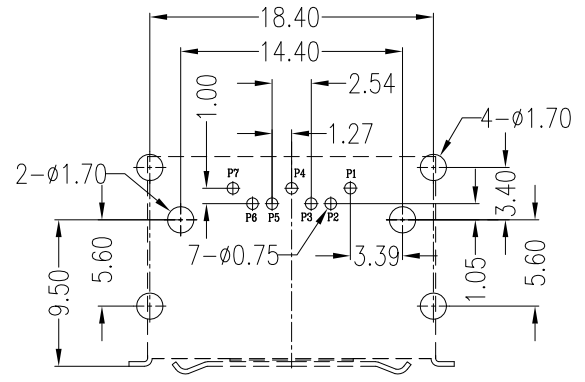
- Environmental:**
 Operating Temperature: -55°C to +125°C



SECT A-A



SECT B-B



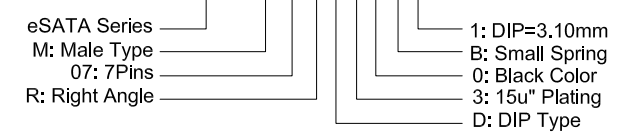
P.C.B Layout
t=1.60mm

Pin Number	Signal Name eSATA
P1	GND
P2	A+
P3	A-
P4	GND
P5	B-
P6	B+
P7	GND

Part No.	Dim"A"
CEAT-M07RD30-B1	3.10mm
CEAT-M07RD30-B2	2.05mm

Part Number:

CEAT-M07RD30-B1



A	07/13/06	RELEASED FOR PRODUCTION	
REV	DATE	DESCRIPTION	
UNLESS OTHERWISE SPECIFIED, DIMENSIONS ARE IN MM. TOLERANCES ARE:			
DECIMALS	ANGLES	APPROVALS	DATE
.X ± .38	± 3°	DRAWN Chris	07/13/06
.XX ± .25		CHECKED Cindy	07/13/06
.XXX ± .20		APPV Jason	07/13/06
DO NOT SCALE DRAWING	SHEET 1 OF 1	SCALE NONE	DWG. NO. CEAT-M07-S01



eSATA 7P, Male, Right Angle, Standard DIP=3.10mm, Small Spring on Bottom

REV. A