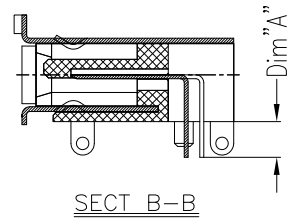
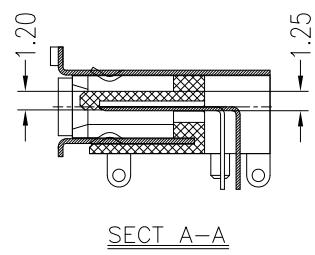
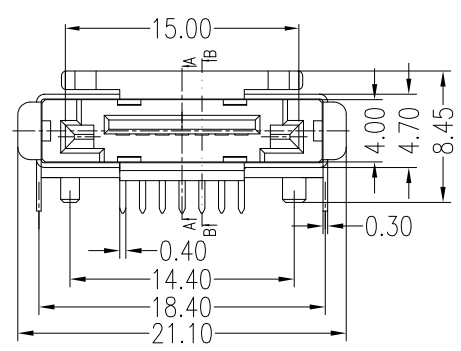
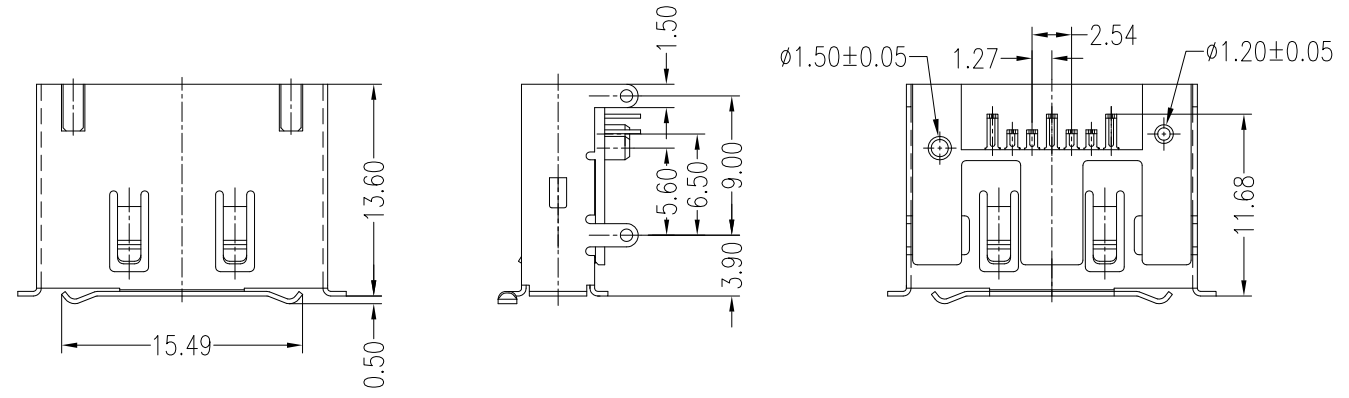
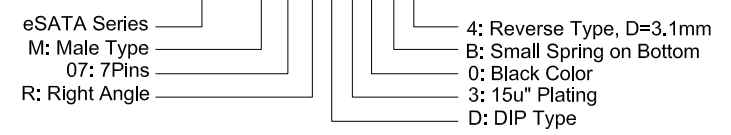


NOTES:

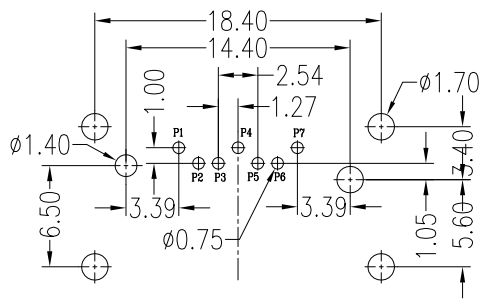
- Material:**
 Housing: LCP+50%G.F, UL 94V-0 Rated.
 Color: Black.
 Contact: Brass.
 Plating: Gold Plating over Nickel on Contact Area.
 Tin Plating on Solder Tail.
 Shell: Brass.
 Plating: Ni(40u" Min) Plating.
- Mechanical:**
 Insertion Force: 40N Max.
 Withdrawal Force: 10N Min.
 Durability: 2500 Cycles
- Electrical Specification:**
 Operation Voltage: 100VAC Max.
 Current Rating: 1.5 Ampere per Contact.
 Contact Resistance: 30mΩ Max.
 Insulation Resistance: 1000MΩ Min.
 Dielectric Withstanding Voltage: 500 VAC.
- Environmental:**
 Operating Temperature: -55°C to +125°C

Part Number:

CEAT-M07RD30-B4



Part NO.	Dim "A"
CEAT-M07RD30-B4	3.10mm
CEAT-M07RD30-B5	2.30mm



P.C.B Layout t=1.60mm

PIN Signal Define	
PIN NO.	Signal Name
S1	GND
S2	A+
S3	A-
S4	GND
S5	B-
S6	B+
S7	GND

A		07/13/06		RELEASED FOR PRODUCTION	
REV		DATE		DESCRIPTION	
UNLESS OTHERWISE SPECIFIED, DIMENSIONS ARE IN MM. TOLERANCES ARE:		CAD GENERATED DRAWING, DO NOT MANUALLY UPDATE		<p>凱聯科技股份有限公司 Conn-Link Technology Inc.</p>	
DECIMALS		ANGLES			
.X ± .38		± 3°			
.XX ± .25					
.XXX ± .20				DESCRIPTION	
DO NOT SCALE DRAWING		SHEET 1 OF 1		SCALE NONE	
		DWG. NO.		CEAT-M07-S06	
		REV.		A	