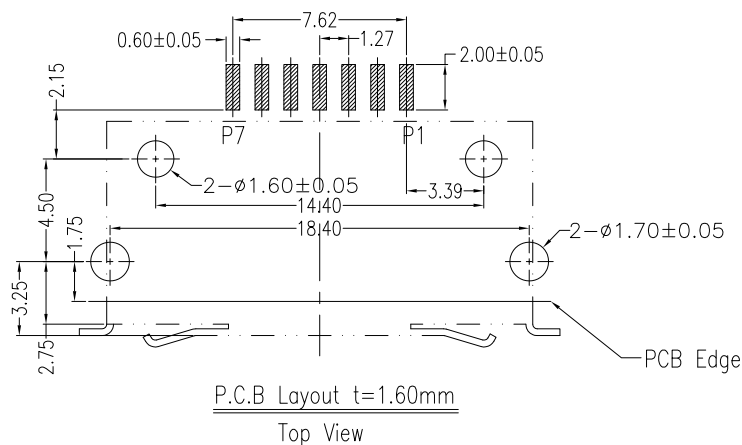
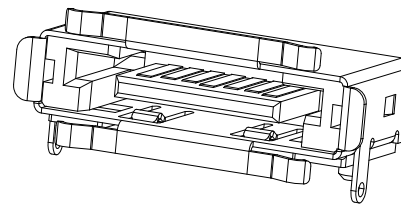


Pin Number	Signal Name
S1	GND
S2	A+
S3	A-
S4	GND
S5	B-
S6	B+
S7	GND

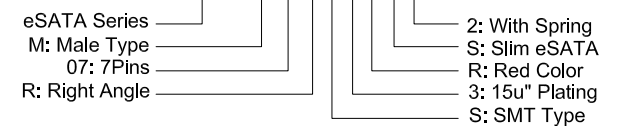


**NOTES:**

- Material:**  
Housing: Nylon6T+30%G.F, UL 94V-0 Rated.  
Color: Red.  
Contact: Brass.  
Plating: Gold Plating over Nickel on Contact Area.  
Tin Plating on Solder Tail.  
Shell: Brass.  
Plating: Ni(40u" Min) Plating.
- Mechanical:**  
Insertion Force: 4080g Max.  
Withdrawal Force: 1020g Min.  
Durability: 2500 Cycles
- Electrical Specification:**  
Operation Voltage: 100VAC Max.  
Current Rating: 1.5 Ampere per Contact.  
Contact Resistance: 30mΩ Max.  
Insulation Resistance: 1000MΩ Min.  
Dielectric Withstanding Voltage: 500 VAC.
- Environmental:**  
Operating Temperature: -55°C to +85°C

**Part Number:**

**CEAT-M07RS3R-S1**



A	06/11/09	RELEASED FOR PRODUCTION	
REV	DATE	DESCRIPTION	
UNLESS OTHERWISE SPECIFIED DIMENSIONS ARE IN MM TOLERANCES ARE:		CAD GENERATED DRAWING, DO NOT MANUALLY UPDATE	
DECIMALS	ANGLES	APPROVALS	DATE
.X ± .38	± 3°	DRAWN	Chris 06/11/09
.XX ± .25		CHECKED	Cindy 06/11/09
.XXX ± .20		APPV	Jason 06/11/09
DO NOT SCALE DRAWING	SHEET 1 OF 1	SCALE	NONE
		DWG. NO.	CEAT-M07-SS3
		REV.	A



**Slim eSATA 7P, Male, Right Angle, SMT Type  
Red Color, 15u" Plating, With Spring**