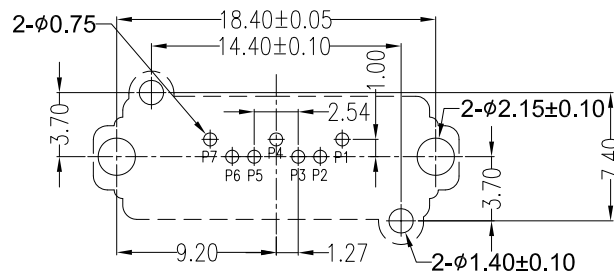
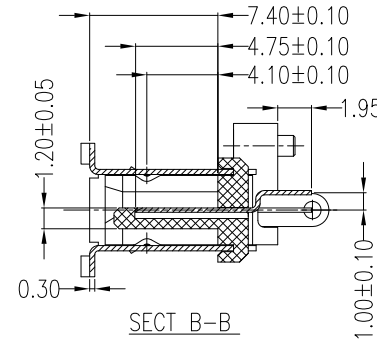
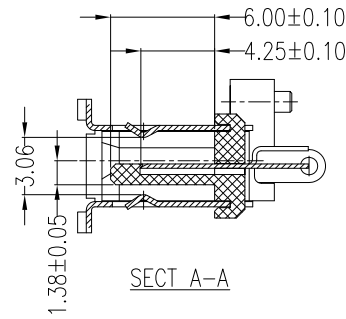
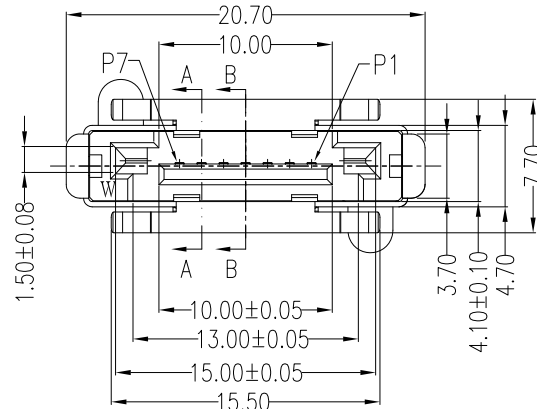


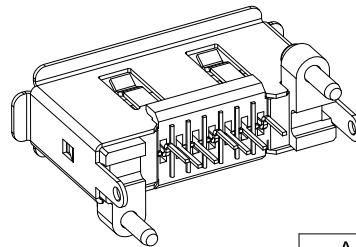
Pin Number	eSATA
P1	GND
P2	A+
P3	A-
P4	GND
P5	B-
P6	B+
P7	GND

NOTES:

- Material:**
 Housing: LCP+50%G.F, UL 94V-0 Rated.
 Color: Black.
 Contact: Phosphor Bronze.
 Plating: Gold Plating over Nickel on Contact Area.
 Tin Plating on Solder Tail.
 Shell: Brass.
 Plating: Ni(40u" Min) Plating.
- Mechanical:**
 Insertion Force: 4080g Max.
 Withdrawal Force: 1020g Min.
 Durability: 2500 Cycles
- Electrical Specification:**
 Operation Voltage: 100VAC Max.
 Current Rating: 1.5 Ampere per Contact.
 Contact Resistance: 30mΩ Max.
 Insulation Resistance: 1000MΩ Min.
 Dielectric Withstanding Voltage: 500 VAC.
- Environmental:**
 Operating Temperature: -55°C to +85°C



P.C.B Layout
Top View (T=1.60mm)




Part Number:

CEAT-M07VD30-M1

eSATA Series
 M: Male Type
 07: 7Pins
 V: Vertical Type

M1: DIP=2.1mm
 0: Black Color
 3: 15u" Plating
 D: DIP Type

A	05/11/09	RELEASED FOR PRODUCTION		DESCRIPTION		
REV	DATE	DESCRIPTION				
UNLESS OTHERWISE SPECIFIED, DIMENSIONS ARE IN MM. TOLERANCES ARE:		CAD GENERATED DRAWING, DO NOT MANUALLY UPDATE				
DECIMALS	ANGLES	APPROVALS	DATE	 凱聯科技股份有限公司 Conn-Link Technology Inc.		
.X ± .38	± 3°	DRAWN	Chris			05/11/09
.XX ± .25		CHECKED	Cindy			05/11/09
.XXX ± .20		APPV	Jason			05/11/09
DO NOT SCALE DRAWING		SHEET	1 OF 1	SCALE	NONE	
		DWG. NO.	CEAT-M07-M01		REV.	
				A		