

Signal Name	
Pin Number	eSATA
P1	GND
P2	A+
P3	A-
P4	GND
P5	B-
P6	B+
P7	GND

NOTES:

1. Material:

Housing: LCP+50%G.F, UL 94V-0 Rated.
 Color: Black.
 Contact: Phosphor Bronze.
 Plating: Gold Plating over Nickel on Contact Area.
 Tin Plating on Solder Tail.
 Shell: Brass.
 Plating: Ni(40u" Min) Plating.

2. Mechanical:

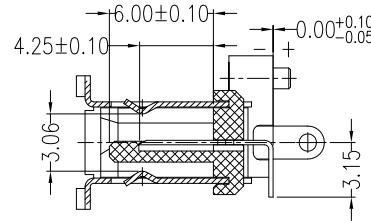
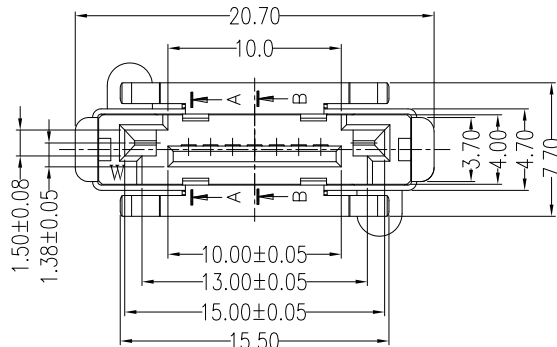
Insertion Force: 4080g Max.
 Withdrawal Force: 1020g Min.
 Durability: 2500 Cycles

3. Electrical Specification:

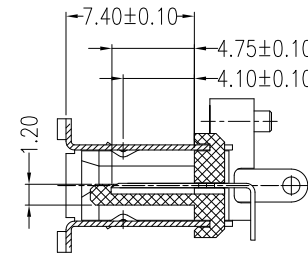
Operation Voltage: 100VAC Max.
 Current Rating: 1.5 Ampere per Contact.
 Contact Resistance: 30mΩ Max.
 Insulation Resistance: 1000MΩ Min.
 Dielectric Withstanding Voltage: 500 VAC.

4. Environmental:

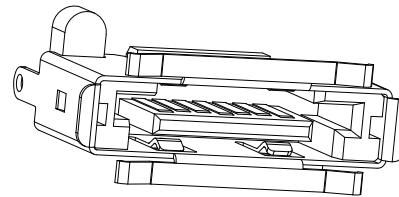
Operating Temperature: -55°C to +85°C



SECT A-A



SECT B-B

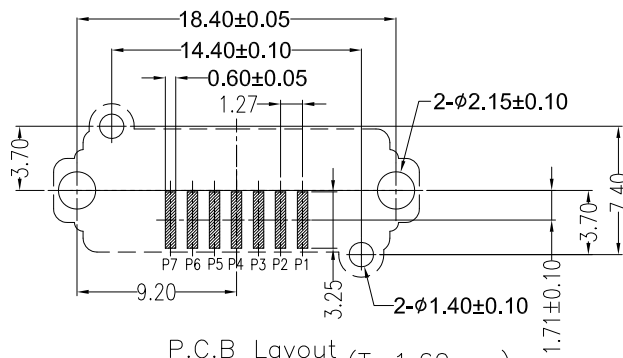


Part Number:

CEAT-M07VS30-M2

eSATA Series
 M: Male Type
 07: 7Pins
 V: Vertical Type

M2: Vertical SMT
 0: Black Color
 3: 15u" Plating
 S: SMT Type



P.C.B Layout (T=1.60mm)
 Top View

A	05/11/09	RELEASED FOR PRODUCTION	
REV	DATE	DESCRIPTION	
UNLESS OTHERWISE SPECIFIED, DIMENSIONS ARE IN MM. TOLERANCES ARE:		CAD GENERATED DRAWING, DO NOT MANUALLY UPDATE	
DECIMALS	ANGLES	APPROVALS	DATE
.X ± .38	± 3°	DRAWN Chris	05/11/09
.XX ± .25		CHECKED Cindy	05/11/09
.XXX ± .20		APPV Jason	05/11/09
DO NOT SCALE DRAWING		SHEET 1 OF 1	SCALE NONE
		DWG. NO. CEAT-M07-M02	REV. A



eSATA Connector, 7P, Male, Vertical, SMT Type