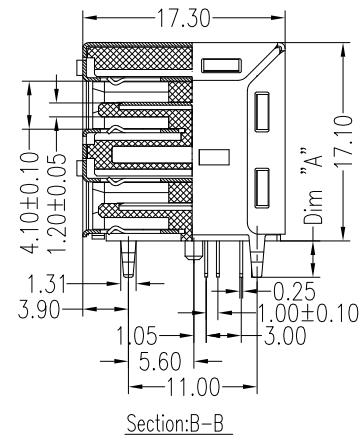
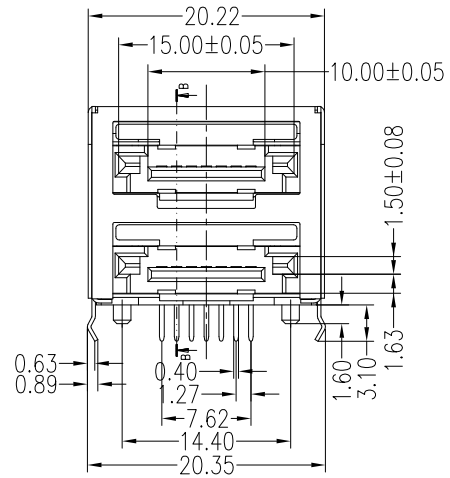


Signal Name	
Pin Number	eSATA
S1	GND
S2	A+
S3	A-
S4	GND
S5	B-
S6	B+
S7	GND

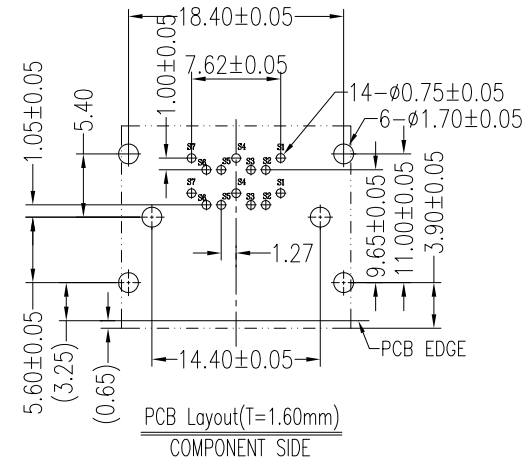
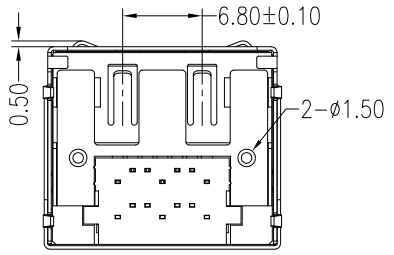
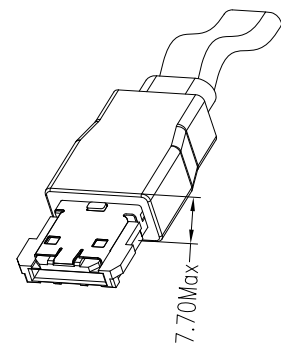
**NOTES:**

- Material:**  
 Housing: Nylon 46+30% G.F., UL 94-0 Rated.  
 Color: Yellow.  
 Contact: Brass.  
 Plating: Gold Plating over Nickel on Contact Area.  
 Tin Plating on Solder Tail.  
 Shell(Outside): Brass, Nickel Plating.  
 Shell(Inside): SUS304.
- Mechanical:**  
 Insertion Force: 4080g Max.  
 Withdrawal Force: 1020g Min.  
 Durability: 2500 Cycles
- Electrical Specification:**  
 Operation Voltage: 100VAC Max.  
 Current Rating: 1.5 Ampere per Contact.  
 Contact Resistance: 30mΩ Max.  
 Insulation Resistance: 1000MΩ Min.  
 Dielectric Withstanding Voltage: 500 VAC.
- Environmental:**  
 Operating Temperature: -55°C to +85°C



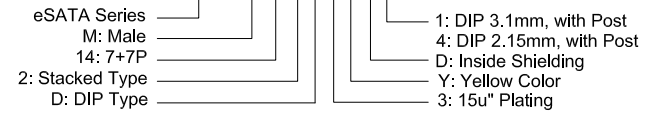
Unit:mm


Standard	Dim "A"
CEAT-M142D3Y-D1	3.10
CEAT-M142D3Y-D4	2.15



**Part Number:**

**CEAT-M142D3Y-D4**



A	09/01/10	RELEASED FOR PRODUCTION		DESCRIPTION		
REV	DATE	DESCRIPTION				
UNLESS OTHERWISE SPECIFIED DIMENSIONS ARE IN MM TOLERANCES ARE:		CAD GENERATED DRAWING, DO NOT MANUALLY UPDATE		 <b>凱聯科技股份有限公司</b> <b>Conn-Link Technology Inc.</b>		
DECIMALS	ANGLES	APPROVALS	DATE			
.X ± .38	± 3°	DRAWN	Chris			09/01/10
.XX ± .25		CHECKED	Cindy			09/01/10
.XXX ± .20		APPV	Jason	09/01/10	DESCRIPTION	
DO NOT SCALE DRAWING		SHEET 1 OF 1		SCALE NONE	DWG. NO. CEAT-M14-YDX	
					REV. A	