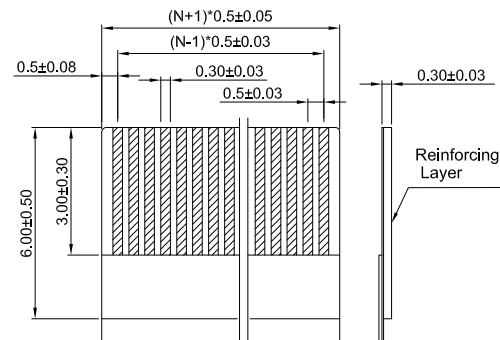
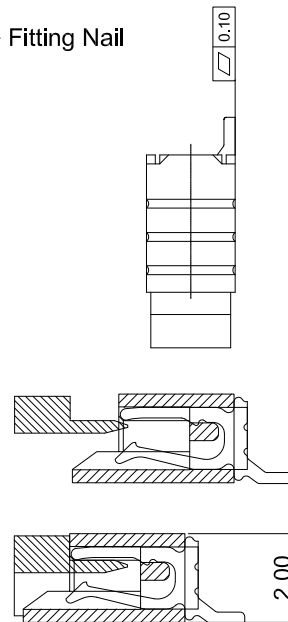


PCB LAYOUT



RECOMMENDED FFC/FPC DIM.



SECTION A-A

NOTES:

1. Materials

Insulator: LCP (UL 94V-0)
 Latch: LCP (UL 94V-0)
 Contact: Copper Alloy
 Contact Plating: Tin Plating
 Fitting Nail: Cooper Alloy

2. Specification:

Contact Resistance: 20m ohms Max
 Insulator Resistance: 500M ohms Min
 Current Rating: 0.4Amp Max.
 Voltage Rating: 50V AC/DC
 Operating Temperature: -25°C To +85°C


PIN NO.	DIM. A	DIM. B	DIM. C	DIM. D
4~N~60	N*0.5+5.6	N*0.5+4.6	N*0.5-0.50	N*0.5+0.60
DIM. E	4~N~34 E=5.25 ; 35~N~60 E=5.75			

Part Number:

CFPC-1XXBDT1-B3

FPC Connector Series
 1: Pitch=0.5mm
 XX: Poles No. (4~60Pins)
 Contact Type
 B: Bottom Contact
 T: Top Contact

3: Tape & Reel
 B: Product Number
 1: White Color
 T: Tin Plating
 Cover Type
 D: Draw Cover

A	11/29/11	RELEASED FOR PRODUCTION	
REV	DATE	DESCRIPTION	
UNLESS OTHERWISE SPECIFIED DIMENSIONS ARE IN MM TOLERANCES ARE:		 凱聯科技股份有限公司 Conn-Link Technology Inc.	
DECIMALS	ANGLES		
.X ± .38	± 3°		
.XX ± .25			
.XXX ± .20		APPROVALS	DATE
		DRAWN Chris	11/29/11
		CHECKED Cindy	11/29/11
		APPV Jason	11/29/11
DO NOT SCALE DRAWING	SHEET 1 OF 1	SCALE NONE	DWG. NO. CFPC-1XX-BDB
			REV. A