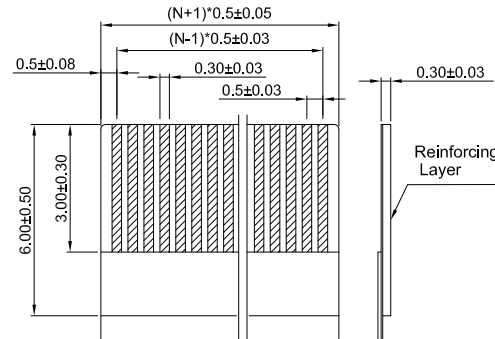
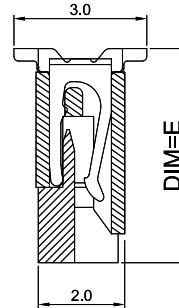


PCB LAYOUT



RECOMMENDED FFC/FPC DIM.



SECTION A-A

NOTES:

1. Materials

- Insulator: LCP (UL 94V-0)
- Latch: LCP (UL 94V-0)
- Contact: Copper Alloy
- Contact Plating: Tin Plating
- Fitting Nail: Cooper Alloy

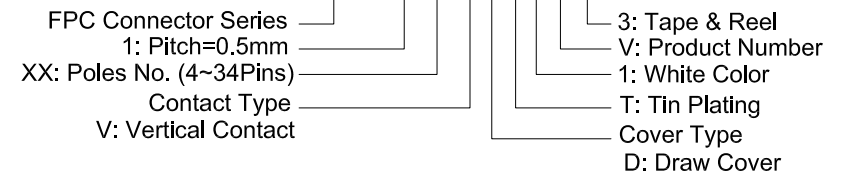
2. Specification:


- Contact Resistance: 20m ohms Max
- Insulator Resistance: 500M ohms Min
- Current Rating: 0.4Amp Max.
- Voltage Rating: 50V AC/DC
- Operating Temperature: -25°C To +85°C

PIN NO.	DIM. A	DIM. B	DIM. C	DIM. D
4~N~34	N*0.5+5.6	N*0.5+4.5	N*0.5-0.50	N*0.5+0.60
DIM. E	4~N~34 E=4.5			

Part Number:

CFPC-1XXVDT1-V3



A	11/01/08	RELEASED FOR PRODUCTION	
REV	DATE	DESCRIPTION	
UNLESS OTHERWISE SPECIFIED, DIMENSIONS ARE IN MM. TOLERANCES ARE:		 凱聯科技股份有限公司 Conn-Link Technology Inc.	
DECIMALS	ANGLES		
.X ± .38	± 3°		
.XX ± .25			
.XXX ± .20		APPROVALS	DATE
DO NOT SCALE DRAWING		DRAWN	Chris 11/01/08
		CHECKED	Cindy 11/01/08
		APPV	Jason 11/01/08
		SHEET	1 OF 1
		SCALE	NONE
		DWG. NO.	CFPC-1XX-VDV
		REV.	A