

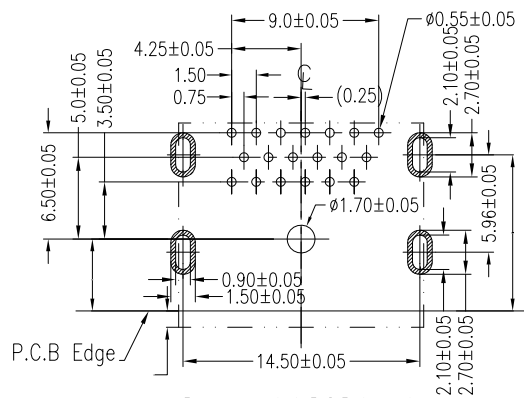
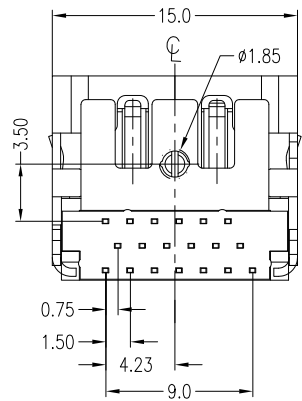
**NOTES:**

- Material:**  
 Housing: LCP, UL 94V-0 rated.  
 Color: Black.  
 Shield: Brass.  
 Plating: Nickel Plating .  
 Contact: Brass.  
 Plating: Gold Plating Over Nickel on Contact Area;  
 Tin Plating On Solder Tail.

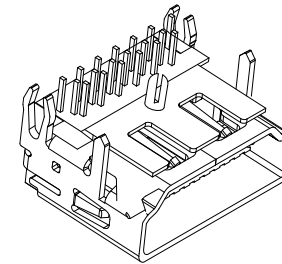
- Electrical Specification:**  
 Operation Voltage: 40 VAC max.  
 Current Rating: 0.5 Ampere per contact  
 Contact Resistance: 30 Milliohms max.  
 Insulation Resistance: 100 Megohms min.  
 Dielectric Withstanding Voltage: 500 VAC

- Environmental:**  
 Operating Temperature: -55°C to +85°C

| Pin No. | Signal Name       | Pin No. | Signal Name                            |
|---------|-------------------|---------|--|
| 1       | TMDS Data2+       | 11      | TMDS Clock Shield                      |
| 2       | TMDS Data2 Shield | 12      | TMDS Clock-                            |
| 3       | TMDS Data2-       | 13      | CEC                                    |
| 4       | TMDS Data1+       | 14      | Reserved (in cable but N.C. on device) |
| 5       | TMDS Data1 Shield | 15      | SCL                                    |
| 6       | TMDS Data1-       | 16      | SDA                                    |
| 7       | TMDS Data0+       | 17      | DDC/CEC Ground                         |
| 8       | TMDS Data0 Shield | 18      | +5V Power                              |
| 9       | TMDS Data0-       | 19      | Hot Plug Detect                        |
| 10      | TMDS Clock+       |         |  |



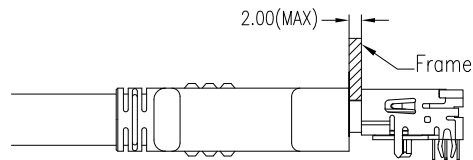
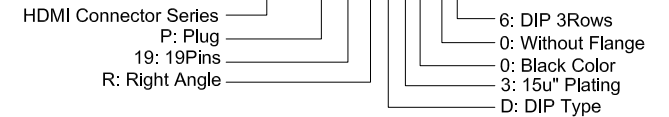
Recommended P.C.B Layout  
 (Thickness=1.6±0.15mm)



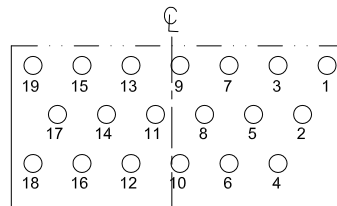
3d Drawing

**Part Number:**

**CHDM-P19RD30-06**



Reference Mount Dimension



Pin Position

|   |          |                         |            |
|---|----------|-------------------------|------------|
| A   | 07/16/08 | RELEASED FOR PRODUCTION |            |
| REV   | DATE     | DESCRIPTION             |            |
| UNLESS OTHERWISE SPECIFIED DIMENSIONS ARE IN MM TOLERANCES ARE: |          |                         |            |
| DECIMALS  | ANGLES   | APPROVALS               | DATE       |
| .X ± .38  | ± 3°     | DRAWN Chris             | 07/16/08   |
| .XX ± .25   |          | CHECKED Cindy           | 07/16/08   |
| .XXX ± .20  |          | APPV Jason              | 07/16/08   |
| DO NOT SCALE DRAWING  |          | SHEET 1 OF 1            | SCALE NONE |
|   |          | DWG. NO. CHDM-P19-N06   | REV. A     |



**凱聯科技股份有限公司**  
**Conn-Link Technology Inc.**

DESCRIPTION **HDMI 19P, A Type, Right Angle, DIP 3Rows With Post, Without Flange**