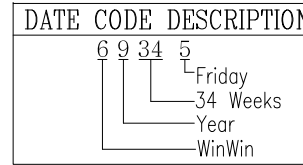
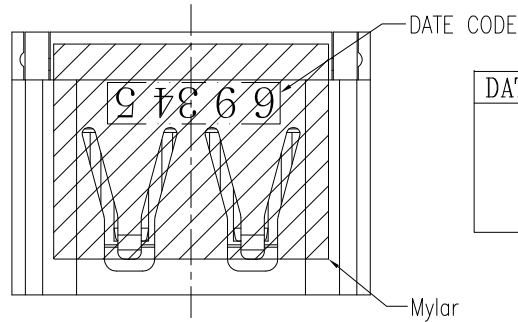


No.	Signal Name	No.	Signal Name
1	TMDS Data2+	11	TMDS Clock Shield
2	TMDS Data2 Shield	12	TMDS Clock-
3	TMDS Data2-	13	CEC
4	TMDS Data1+	14	Reserved (in cable but N.C. on device)
5	TMDS Data1 Shield	15	SCL
6	TMDS Data1-	16	SDA
7	TMDS Data0+	17	DDC/CEC Ground
8	TMDS Data0 Shield	18	+5V Power
9	TMDS Data0-	19	Hot Plug Detect
10	TMDS Clock+		



**NOTES:**

**1. Material:**

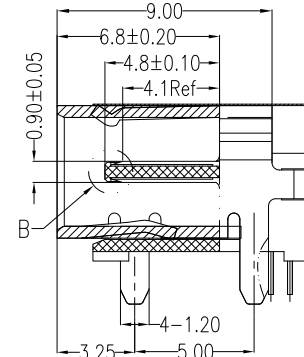
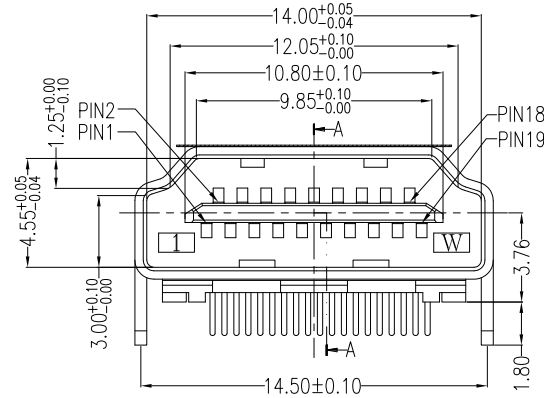
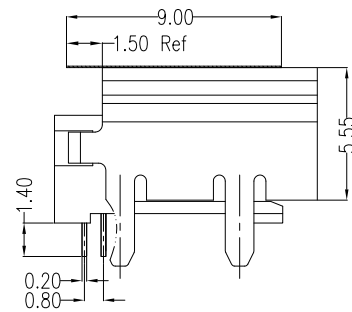
Housing: LCP+50% G.F., UL 94V-0 rated.  
 Color: Black.  
 Spacer: LCP+50% G.F., UL 94V-0 rated.  
 Color: Black.  
 Shield: Brass.  
 Plating: Nickel(40u" Min.) Plating.  
 Film: PET; Color: Brown.  
 Contact: Brass.  
 Plating: Gold Plating Over Nickel on Contact Area;  
 Tin(100u" Min.) Plating on Solder Tail;  
 Nickel(40u" Min.) Underplating overall.

**2. Electrical Specification:**

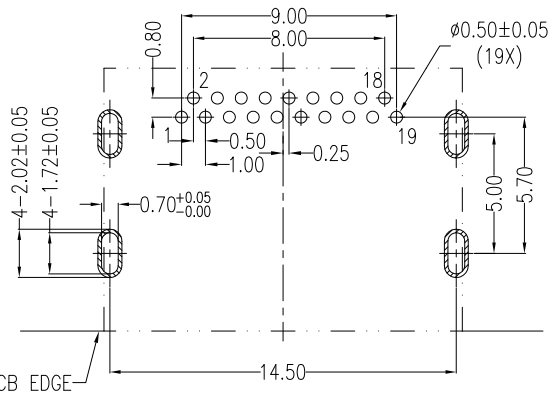
Operation Voltage: 40 VAC Max.  
 Current Rating: 0.5 Ampere per Contact  
 Contact Resistance: 10 Milliohms Max.  
 Insulation Resistance: 100 Megohms Min.  
 Dielectric Withstanding Voltage: 500 VAC

**3. Environmental:**

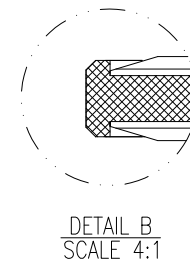
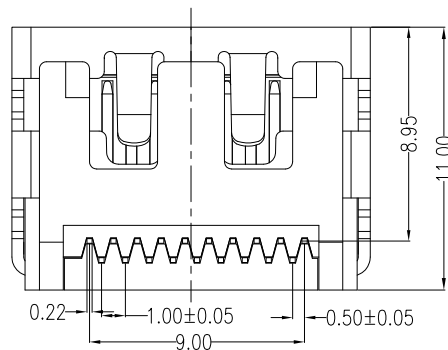
Operating Temperature: -25°C to +85°C



SECT:A-A



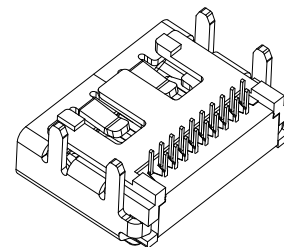
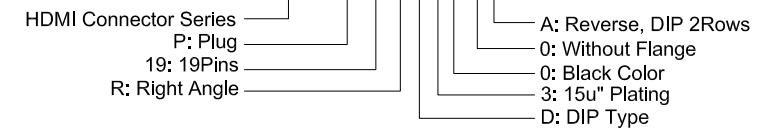
P.C.B LAYOUT(T=1.20mm)  
COMPONENT SIDE



DETAIL B  
SCALE 4:1

**Part Number:**

**CHDM-P19RD30-0A**



A	10/01/10	RELEASED FOR PRODUCTION		DESCRIPTION	
REV	DATE	UNLESS OTHERWISE SPECIFIED, DIMENSIONS ARE IN MM. TOLERANCES ARE:			
		APPROVALS		DATE	
		DRAWN Chris		10/01/10	
		CHECKED Cindy		10/01/10	
		APPV Jason		10/01/10	
DO NOT SCALE DRAWING		SHEET 1 OF 1		SCALE NONE	
		DWG. NO. CHDM-P19-N0A		REV. A	



DESCRIPTION: HDMI 19P, A Type, Right Angle, Reverse Type  
DIP Two Rows D=1.4mm, Without Flange