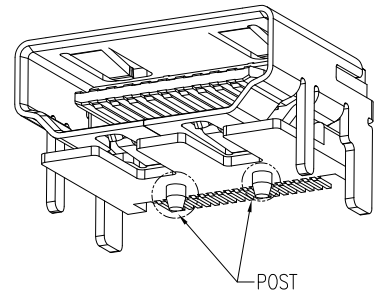
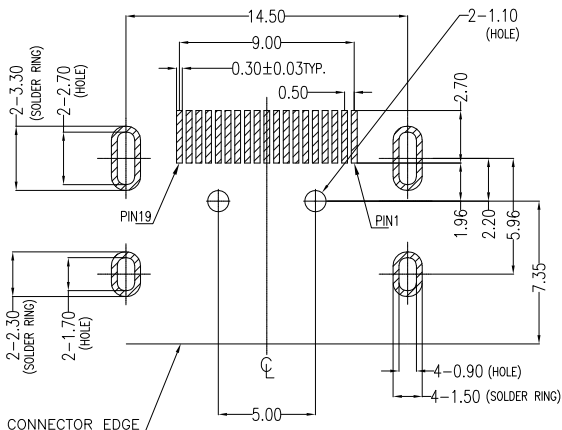
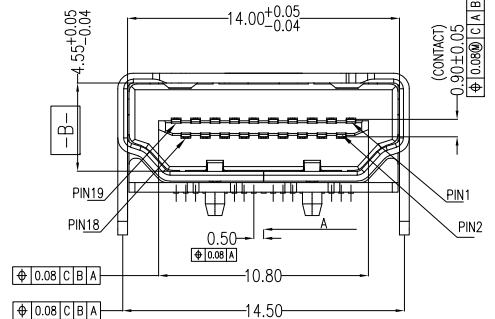
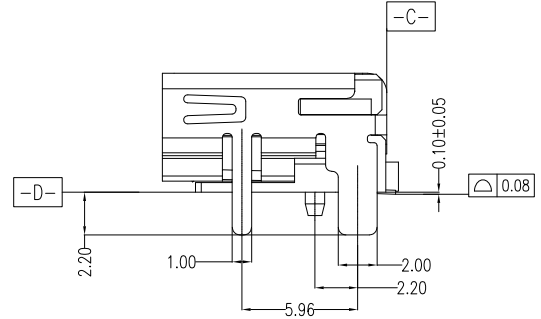
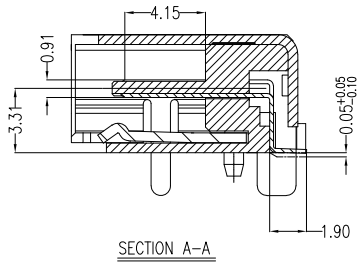
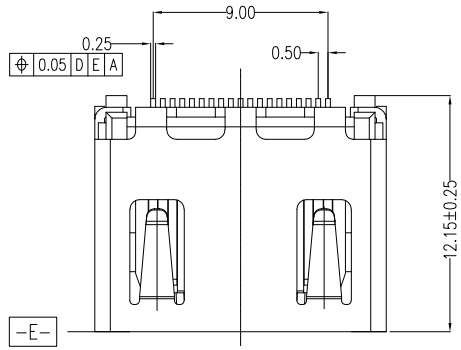


No.	Signal Name	No.	Signal Name
1	TMDS Data2+	11	TMDS Clock Shield
2	TMDS Data2 Shield	12	TMDS Clock-
3	TMDS Data2-	13	CEC
4	TMDS Data1+	14	Reserved (in cable but N.C. on device)
5	TMDS Data1 Shield	15	SCL
6	TMDS Data1-	16	SDA
7	TMDS Data0+	17	DDC/CEC Ground
8	TMDS Data0 Shield	18	+5V Power
9	TMDS Data0-	19	Hot Plug Detect
10	TMDS Clock+		

NOTES:

- Material:**
 Housing: LCP(E1301)+30%G.F., UL 94V-0 Rated
 Color: Black.
 Contact: Brass C2680-1/2H(HV120~1140), T=0.2±0.02mm.
 Plating: Gold Plating on Contact Area;
 Tin(100u" Min.) Plating on Solder Tail.
 Nickel(50u" Min.) Underplating Overall.
 Shell: Brass C2680-EH(HV160~175), T=0.5±0.02mm.
 Plating: Weldable Nickel(100u" Min.) Plating.
- Mechanical:**
 Insertion Force: 4.5Kgf Max.
 Withdrawing Force: 1Kgf ~ 4Kgf.
- Electrical Specification:**
 Operation Voltage: 40VAC max.
 Current Rating: 0.5Ampere per contact.
 Contact Resistance: 10 mΩ Max.
 Insulation Resistance: 100MΩ Min.
 Dielectric Withstanding Voltage: 500VAC.
- Environmental:**
 Operating Temperature: -20°C to +85°C.




Part Number:

CHDM-P19RSG0-15

- HDMI Connector Series
- P: Plug
- 19: 19Pins
- R: Right Angle
- 5: With Posts 5.0mm
- 1: Shell Ni Without Flange
- 0: Black Color
- G: Gold Flash
- S: SMT Type

RECOMMENDED PCB LAYOUT (TOP VIEW)
TOLERANCE: ±0.05mm

A	06/26/19	RELEASED FOR PRODUCTION	
REV	DATE	DESCRIPTION	
UNLESS OTHERWISE SPECIFIED, DIMENSIONS ARE IN MM. TOLERANCES ARE:		 凱聯科技股份有限公司 Conn-Link Technology Inc.	
DECIMALS	ANGLES		
.X ± .38	± 3°		
.XX ± .25			
.XXX ± .20			
DO NOT SCALE DRAWING	SHEET 1 OF 1	SCALE NONE	DWG. NO. CHDM-P19-N15