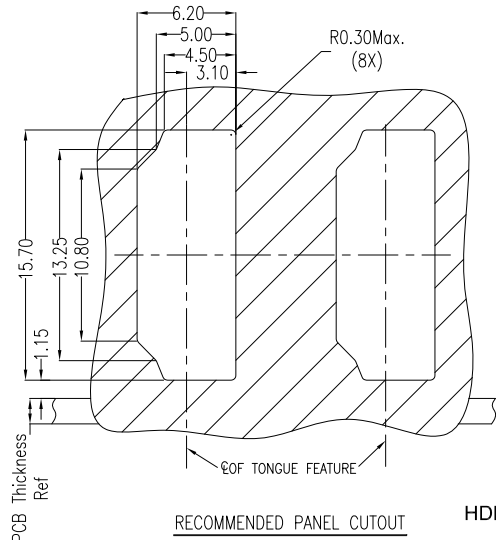
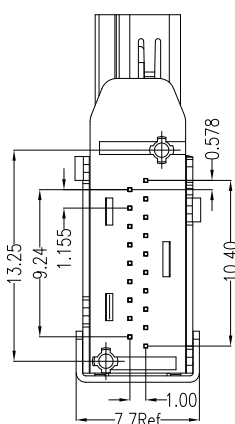


NOTES:

- Material:**
 Housing: PBT+30%G.F., UL 94V-0 Rated.
 Color: Black.
 Spacer: Nylon66+30%G.F., UL 94V-0 Rated.
 Color: Black.
 Shield: SUS.
 Plating: Tin(100u" Min.) plating on solder tail.
 Contact: Brass.
 Plating: Gold Plating Over Nickel on Contact Area;
 Tin(100u" Min.) Plating on Solder Tail;
 Nickel(40u" Min.) Underplating overall.

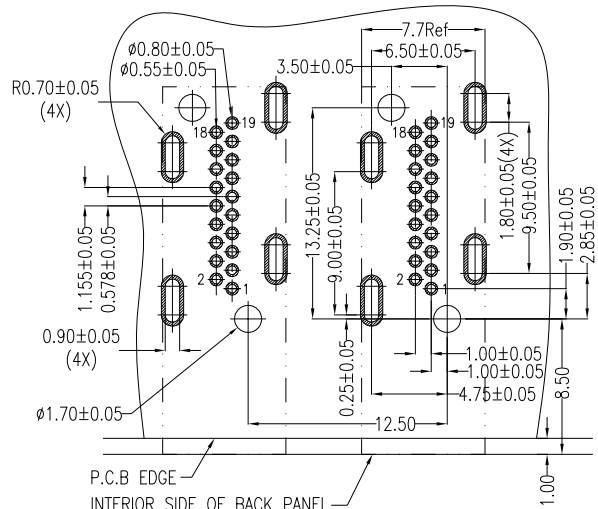
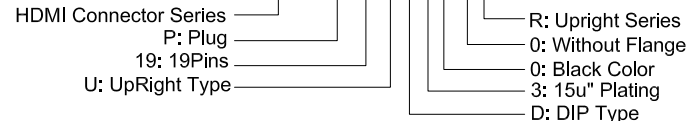
No.	Signal Name	No.	Signal Name
1	TMDS Data2+	11	TMDS Clock Shield
2	TMDS Data2 Shield	12	TMDS Clock-
3	TMDS Data2-	13	CEC
4	TMDS Data1+	14	Reserved (in cable but N.C. on device)
5	TMDS Data1 Shield	15	SCL
6	TMDS Data1-	16	SDA
7	TMDS Data0+	17	DDC/CEC Ground
8	TMDS Data0 Shield	18	+5V Power
9	TMDS Data0-	19	Hot Plug Detect
10	TMDS Clock+		

- Electrical Specification:**
 Operation Voltage: 40 VAC Max.
 Current Rating: 0.5 Ampere per Contact
 Contact Resistance: 10 Milliohms Max.
 Insulation Resistance: 100 Megohms Min.
 Dielectric Withstanding Voltage: 500 VAC
- Environmental:**
 Operating Temperature: -55°C to +85°C

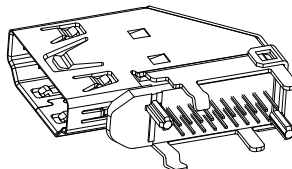


Part Number:

CHDM-P19UD30-0R



PCB LAYOUT(T=1.60mm)
COMPONENT SIDE



A	10/01/11	RELEASED FOR PRODUCTION	
REV	DATE	DESCRIPTION	
UNLESS OTHERWISE SPECIFIED DIMENSIONS ARE IN MM TOLERANCES ARE:		CAD GENERATED DRAWING, DO NOT MANUALLY UPDATE	
DECIMALS	ANGLES	APPROVALS	DATE
.X ± .38	± 3°	DRAWN Chris	10/01/11
.XX ± .25		CHECKED Cindy	10/01/11
.XXX ± .20		APPV Jason	10/01/11
DO NOT SCALE DRAWING	SHEET 1 OF 1	SCALE NONE	DWG. NO. CHDM-P19-N0R



DESCRIPTION: HDMI 19P, A Type, UpRight Type, DIP Type, 2Row D=2.3mm, Without Flange