

Top Row			Bottom Row		
Pin NO.	Signal Type	Pin Name	Pin NO.	Signal Type	Pin Name
1	GND	GND	2	In	HotPlug_Detect
3	Out	ML_Lane 0(p)	4	CONFIG	CONFIG1
5	Out	ML_Lane 0(n)	6	CONFIG	CONFIG2
7	GND	GND	8	GND	GND
9	Out	ML_Lane 1(p)	10	Out	ML_Lane 3(p)
11	Out	ML_Lane 1(n)	12	Out	ML_Lane 3(n)
13	GND	GND	14	GND	GND
15	Out	ML_Lane 2(p)	16	I/O	AUX_CH(p)
17	Out	ML_Lane 2(n)	18	I/O	AUX_CH(n)
19	GND	GND	20	PWR Out	DP_PWR

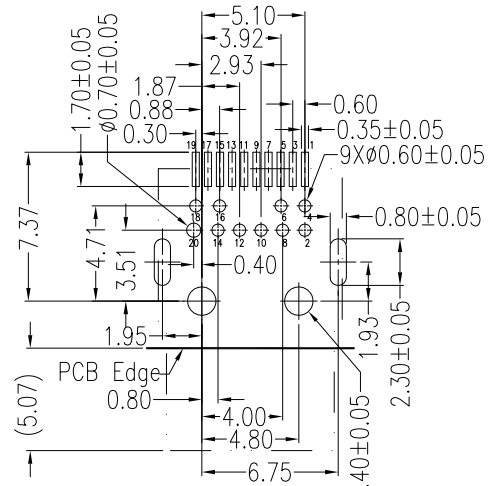
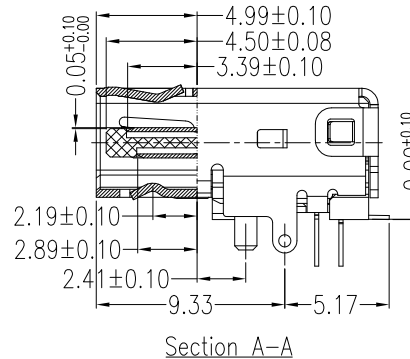
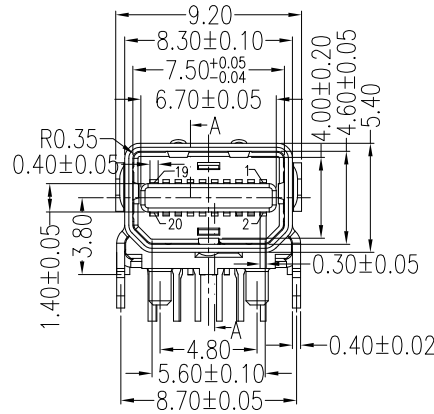
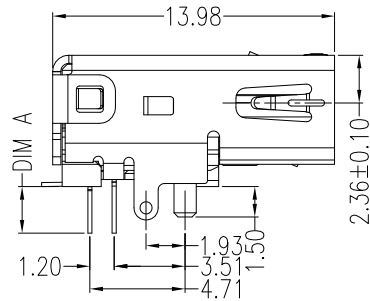
NOTES:

- Material:**
 Body: LCP+50%G.F, UL 94V-0 Rated.
 Color: Black.
 Insertion(Molding): LCP+30%G.F, UL 94V-0 Rated.
 Color: Black.
 Contact: Phosphor Bronze(C7025).
 Plating: Gold Plating over Nickel on Contact Area.
 Tin Plating on Solder Tail.
 Shell: Brass.
 Plating: Nickel(40~80u") Plating.

- Mechanical:**
 Insertion Force: 4.5Kgf Max.
 Withdrawal Force: 1.0~4.0Kgf.
 Durability: 10,000 Cycles

- Electrical Specification:**
 Operation Voltage: 30VAC Max.
 Current Rating: 0.5 Ampere per Contact.
 Contact Resistance: 30mΩ Max.
 Insulation Resistance: 100MΩ Min.
 Dielectric Withstanding Voltage: 500V AC Min.

- Environmental:**
 Operating Temperature: -40°C to +85°C



P.C.B Layout
Component side

Unit:mm

Part No.	Dim A	P.C.B Thickness
CMDP-R20R240-RA	2.30	1.20
CMDP-R20R240-RB	3.10	1.60

Part Number:

CMDP-R20R240-RA

- | | |
|-------------------------|-----------------------------|
| Mini DisplayPort Series | RA: SMT+DIP 2.30mm, H:3.8mm |
| R: Receptacle Type | RB: SMT+DIP 3.10mm, H:3.8mm |
| 20: 20Pins | 0: Black Color |
| R: Right Angle | 4: 30u" Plating |
| | 2: SMT+DIP Type |

A	06/13/10	RELEASED FOR PRODUCTION	
REV	DATE	DESCRIPTION	
UNLESS OTHERWISE SPECIFIED DIMENSIONS ARE IN MM TOLERANCES ARE:		<p>凱聯科技股份有限公司 Conn-Link Technology Inc.</p>	
DECIMALS	ANGLES		
.X ± .38	± 3°		
.XX ± .25			
.XXX ± .20		DESCRIPTION	Mini DisplayPort Connector 20P, Receptacle, R/A Long Body=13.98mm, SMT+DIP 2.30mm, H=3.8mm
DO NOT SCALE DRAWING	SHEET 1 OF 1	SCALE NONE	DWG. NO. CMDP-R20-R0A
			REV. A