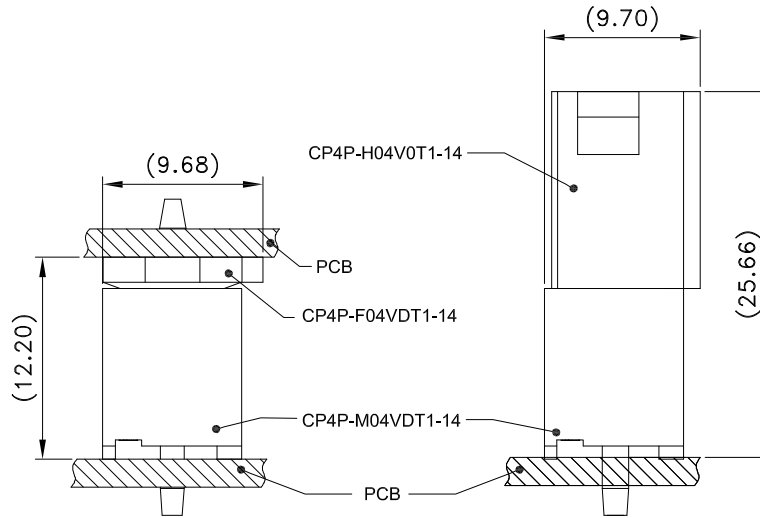
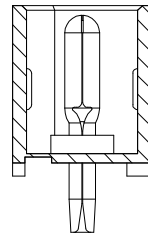
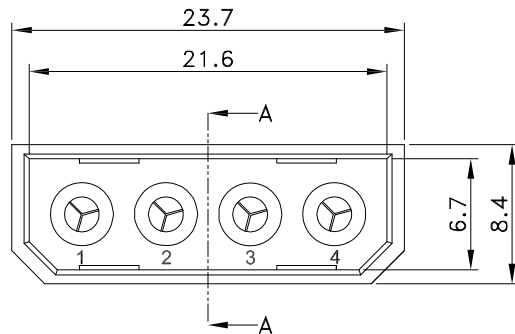


RECOMMENDED PCB LAYOUT

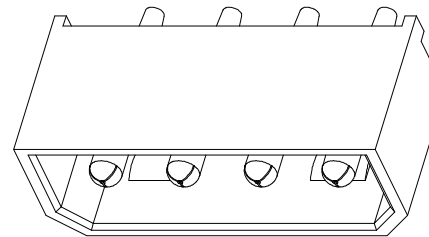


BOARD TO BOARD TYPE VIEW

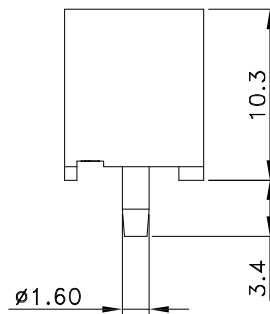
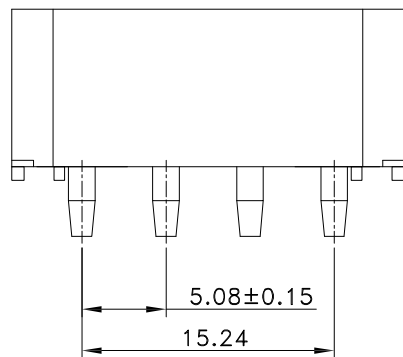
WIRE TO BOARD TYPE VIEW



SECTION A-A



3D VIEW



**NOTES:**

**1. Material:**

Housing: Nylon 66, UL 94V-2 Rated.  
 Color: White.  
 Contact: Brass.  
 Plating: Tin Plating over Nickel.

**2. Electrical Specification:**

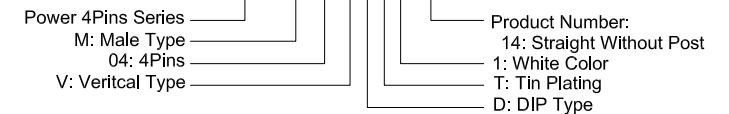
Current Rating: 7 Ampere AC/DC.  
 Contact Resistance: 20mΩ Max.  
 Insulation Resistance: 1,000MΩ Min.  
 Dielectric Withstanding Voltage: 1,500V AC per Minute.

**3. Environmental:**

Operating Temperature: -25°C to +85°C

**Part Number:**

**CP4P-M04VDT1-14**



A	04/05/12	RELEASED FOR PRODUCTION	
REV	DATE	DESCRIPTION	
UNLESS OTHERWISE SPECIFIED, DIMENSIONS ARE IN MM. TOLERANCES ARE:		CAD GENERATED DRAWING, DO NOT MANUALLY UPDATE	
DECIMALS	ANGLES	APPROVALS	DATE
.X ± .38	± 3°	DRAWN Chris	04/05/12
.XX ± .25		CHECKED Cindy	04/05/12
.XXX ± .20		APPV Jason	04/05/12
DO NOT SCALE DRAWING		SHEET 1 OF 1	SCALE NONE
		DWG. NO. CP4P-M04-114	REV. A



DESCRIPTION Wire to Board, 5.08mm Power 4Pins Connector Vertical, DIP, Without Post, White Color