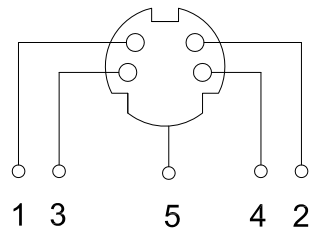
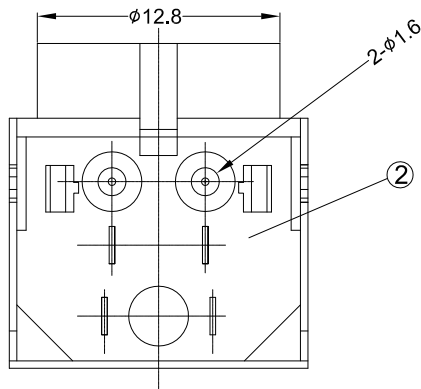


T:1.6 Dimensions of PC board holes
Tolerance : ± 0.1 (Printed-Top view)



SCHEMATIC DIAGRAM

Part Number:

CPDJ-F04RDB0-0S

Power Din Jack
F: Female Type
04: 4Pins
R: Right Angle
S: With Shielding
0: W/O Spring
0: Black Color
B: Ag Plating
D: DIP Type

NO.	DESCRIPTION	QTY	MATERIAL	REMARK
5	COAT	1	SPCC T=0.4	Cu/Sn-Plating
4	GROUND CONTACT	1	C2680 T=0.4	Cu/Sn-Plating
3	TERMINAL	4	C2680 T=0.3	Ag-Plating
2	COVER	1	PBT 4815	UL 94-V0 (Black)
1	HOUSING	1	PBT 4815	UL 94-V0 (Black)

A	07/10/08	RELEASED FOR PRODUCTION	
REV	DATE	DESCRIPTION	
UNLESS OTHERWISE SPECIFIED, DIMENSIONS ARE IN MM. TOLERANCES ARE:			
DECIMALS	ANGLES	APPROVALS	DATE
.X \pm .38	$\pm 3^\circ$	DRAWN Chris	07/10/08
.XX \pm .25		CHECKED Cindy	07/10/08
.XXX \pm .20		APPV Jason	07/10/08
DO NOT SCALE DRAWING		SHEET 1 OF 1	SCALE NONE
		DWG. NO. CPDJ-F04-K0S	REV. A



DESCRIPTION Power Din Jack, 4P, Female, Right Angle, DIP, Ag Plating, With Shielding, Black Color