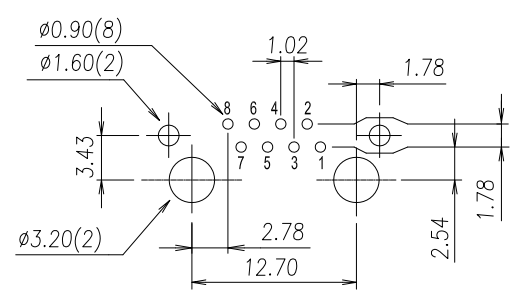
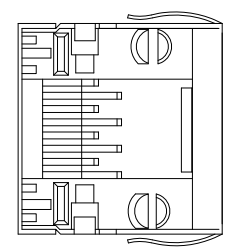
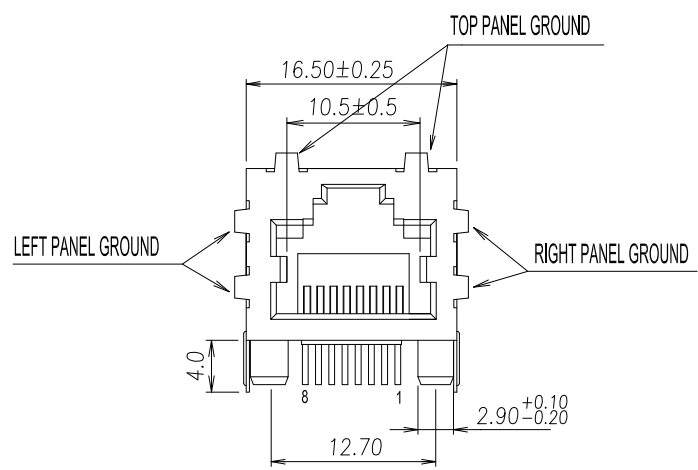
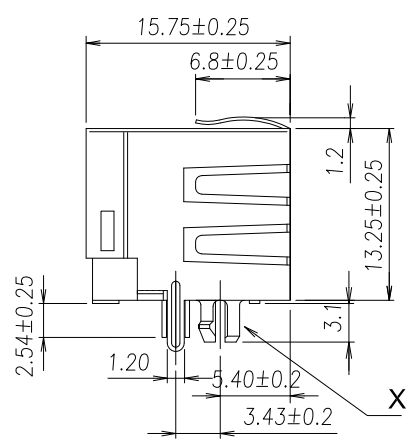


DETAIL X



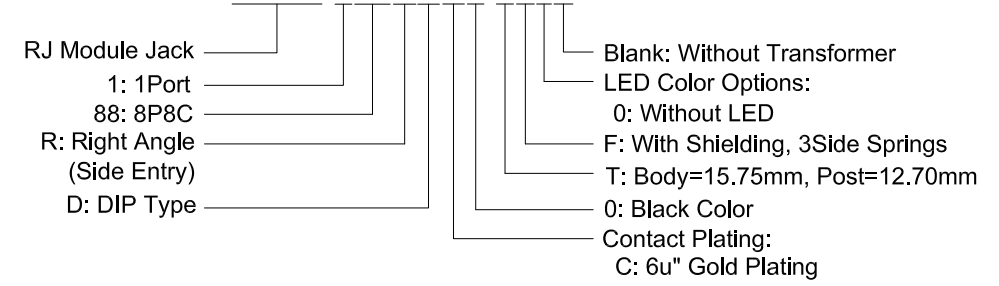
RECOMMENDED PCB LAYOUT (THICKNESS: 1.6mm)
DIMENSION TOLERANCE: 1 PLC: ± 0.1 2PLC: ± 0.05
TOP VIEW

NOTES:

- Material:**
 Housing: DSM Stanyl TE250F6(Nylon 46), UL 94V-0 Rated.
 Color: Black.
 Contact: Dia. 0.35mm Thickness Phosphor Bronze.
 Plating: Gold Plating over Nickel on Contact Area.
 Tin Plating over Nickel on Solder Tail.
 Shield: Dia. 0.25mm Thickness Copper Alloy.
 Plating: Nickel Plating.
- Mechanical:**
 Durability: 750 Cycles.
- Electrical Specification:**
 Operation Voltage: 125VAC Rms.
 Current Rating: 1.5 Ampere.
 Contact Resistance: 30m Ω Max.
 Insulation Resistance: 500M Ω Min at 500VDC.
 Dielectric Withstanding Voltage: 1000 VAC Rms 60Hz, 1Min.
- Environmental:**
 Storage Temperature: -40°C to +85°C
 Operating Temperature: -20°C to +75°C
 Mates With Modular Plug Conforming To FCC Part 68, Subpart F.

Part Number:

CRJM-188RDC0-TF0



A	12/10/07	RELEASED FOR PRODUCTION	
REV	DATE	DESCRIPTION	
UNLESS OTHERWISE SPECIFIED, DIMENSIONS ARE IN MM TOLERANCES ARE:		CAD GENERATED DRAWING, DO NOT MANUALLY UPDATE	
DECIMALS	ANGLES	APPROVALS	DATE
.X \pm .38	$\pm 3^\circ$	DRAWN Chris	12/10/07
.XX \pm .25		CHECKED Cindy	12/10/07
.XXX \pm .20		APPV Jason	12/10/07
DO NOT SCALE DRAWING	SHEET 1 OF 1	SCALE NONE	DWG. NO. CRJM-188-TF0
		DESCRIPTION RJ45 Connector, 8P8C, Right Angle(Side Entry), DIP Without LED, With Shielding, 3Side Springs, Body=15.75mm	
		REV. A	

