

RECOMMENDED PCB LAYOUT
TOP VIEW
TOLERANCE: ±0.05mm
PCB THICKNESS: 1.60±0.05mm

NOTES:

1. Material:

Housing: Thermoplastic, UL 94V-0 Rated.
 Color: Black.
 Contact: 0.35mm Thickness Copper Alloy.
 Plating: Gold Plating over Nickel on Contact Area.
 Tin Plating over Nickel on Solder Tail.
 Shielded: Copper Alloy.
 Plating: Nickel Plating.

2. Mechanical:

Durability: 750 Cycles

3. Electrical Specification:

Operation Voltage: 125VAC Rms.
 Current Rating: 1.5 Ampere.
 Contact Resistance: 30mΩ Max.
 Insulation Resistance: 500MΩ Min at 500VDC.
 Dielectric Withstanding Voltage: 1000 VAC Rms 60Hz, 1Min.

4. Environmental:

Storage Temperature: -40°C to +85°C
 Operating Temperature: -0°C to +70°C
 Mates With Modular Plug Conforming To FCC Part 68, Subpart F.

Part Number:

CRJM-188RDGO-DD041

RJ45 Module Jack
 1: 1Port
 88: 8P8C
 R: Right Angle
 (Side Entry)
 D: DIP Type

41: Schematics Code
 LED Color Options:
 0: Without LED
 D: Shielding, With 3Side Springs
 D: Body=21.6mm, Post=11.43mm
 0: Black Color
 Contact Plating:
 G: Gold Flash

A	12/05/14	RELEASED FOR PRODUCTION	
REV	DATE	DESCRIPTION	
UNLESS OTHERWISE SPECIFIED DIMENSIONS ARE IN MM TOLERANCES ARE:		CAD GENERATED DRAWING, DO NOT MANUALLY UPDATE	
DECIMALS	ANGLES	APPROVALS	DATE
.X ± .38	± 3°	DRAWN Chris	12/05/14
.XX ± .25		CHECKED Cindy	12/05/14
.XXX ± .20		APPV Jason	12/05/14
DO NOT SCALE DRAWING	SHEET 1 OF 2	SCALE NONE	DWG. NO. CRJM-188-DD041
			REV. A



DESCRIPTION RJ45 Connector, 1Port, 8P8C, Right Angle(Side Entry), DIP, Without LED, With Shield Spring, Transformer, 10/100Mbps Fiter

TRANSFORMER CODE: TYPE 41

ELECTRICAL CHARACTERISTICS:

Test Notes:(25±5°)

1.TR:(100KHz,0.1V):

Pins:(P1-P2):(J1-J2)=1:1±3%

Pins:(P7-P8):(J3-J6)=1:1±3%

2.LX:(100KHz,100mV,8mA, DC Bias)

Pins:(P1-P2),(P7-P8)=350uH Minimum

3.DCR:

Pins:(J1-J2),(J3-J6)=1.2 Ω Maximum

4.HIPOT:

Pins:(P1,P2)To(J1,J2)=1500VAC 60s or 2250VDC 60s

Pins:(P7,P8)To(J3,J6)=1500VAC 60s or 2250VDC 60s

5.INSERTION LOSS:

-1.0dB Maximum At 1MHz To 100MHz

6.RETURN LOSS:

-18dB Minimum At 1MHz To 30MHz,load 100 Ω;

-16dB Minimum At 30MHz To 60MHz,load 100 Ω;

-12dB Minimum At 60MHz To 80MHz,load 100 Ω.

7.CROSS TALK:

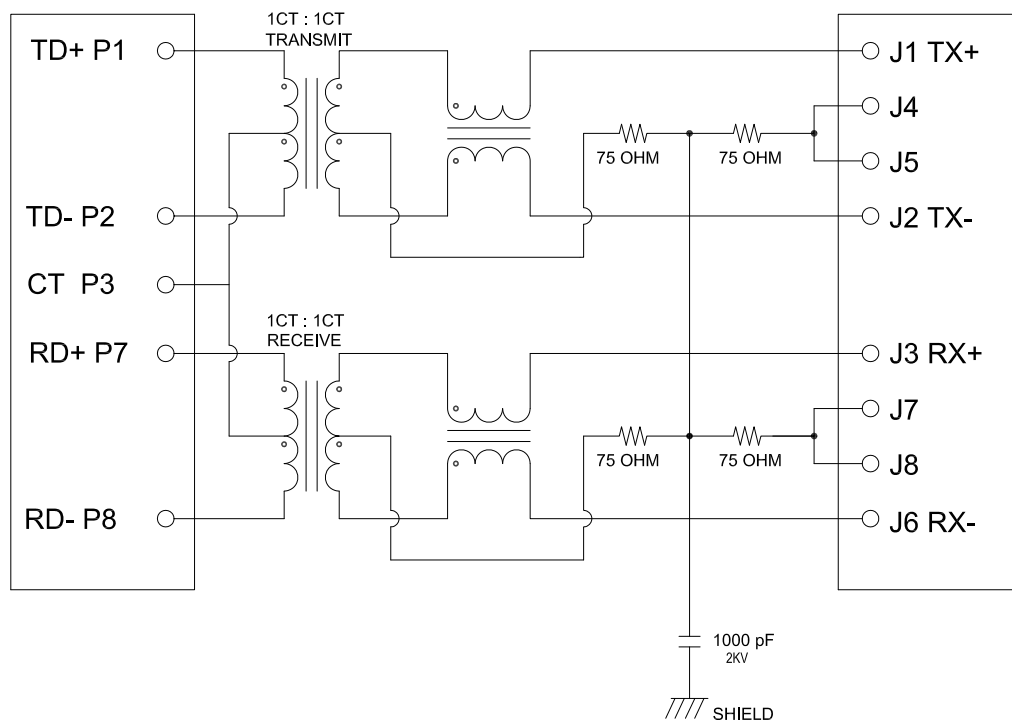
-30dB Minimum At 1MHz To 100MHz

8.COMMON TO COMMON MODE REJECTION:

-30dB Minimum At 1MHz To 100MHz

CONNECTOR SOLDER SIDE

RJ45 CONTACT SIDE



CONNECTOR SCHEMATIC

A	12/05/14	RELEASED FOR PRODUCTION	
REV	DATE	DESCRIPTION	
UNLESS OTHERWISE SPECIFIED DIMENSIONS ARE IN MM TOLERANCES ARE:		CAD GENERATED DRAWING, DO NOT MANUALLY UPDATE	
DECIMALS	ANGLES	APPROVALS	DATE
.X ± .38	± 3°	DRAWN Chris	12/05/14
.XX ± .25		CHECKED Cindy	12/05/14
.XXX ± .20		APPV Jason	12/05/14
DO NOT SCALE DRAWING		SHEET 2 OF 2	SCALE NONE
		DWG. NO. CRJM-188-DD041	REV. A



DESCRIPTION RJ45 Connector, 1Port, 8P8C, Right Angle(Side Entry), DIP, Without LED, With Shield Spring, Transformer, 10/100Mbps Filter