

DET.A
SCALE 2:1

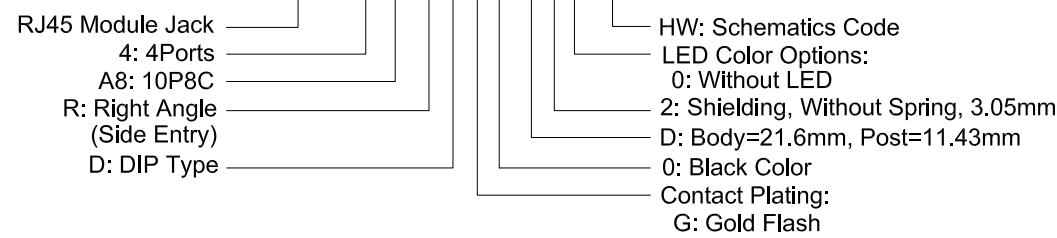
**RECOMMENDED PCB LAYOUT
TOP VIEW
TOLERANCE: ±0.05mm
PCB THICKNESS: 1.60±0.05mm**


NOTES:

- Material:**
Housing: Thermoplastic, UL 94V-0 Rated.
Color: Black.
Contact: 0.35mm Thickness Copper Alloy.
Plating: Gold Plating over Nickel on Contact Area.
Tin Plating over Nickel on Solder Tail.
- Mechanical:**
Durability: 750 Cycles
- Electrical Specification:**
Operation Voltage: 125VAC Rms.
Current Rating: 1.5 Ampere.
Contact Resistance: 30mΩ Max.
Insulation Resistance: 500MΩ Min at 500VDC.
Dielectric Withstanding Voltage: 1000 VAC Rms 60Hz, 1Min.
- Environmental:**
Storage Temperature: -40°C to +85°C
Operating Temperature: -0°C to +70°C
Mates With Modular Plug Conforming To FCC Part 68, Subpart F.

Part Number:

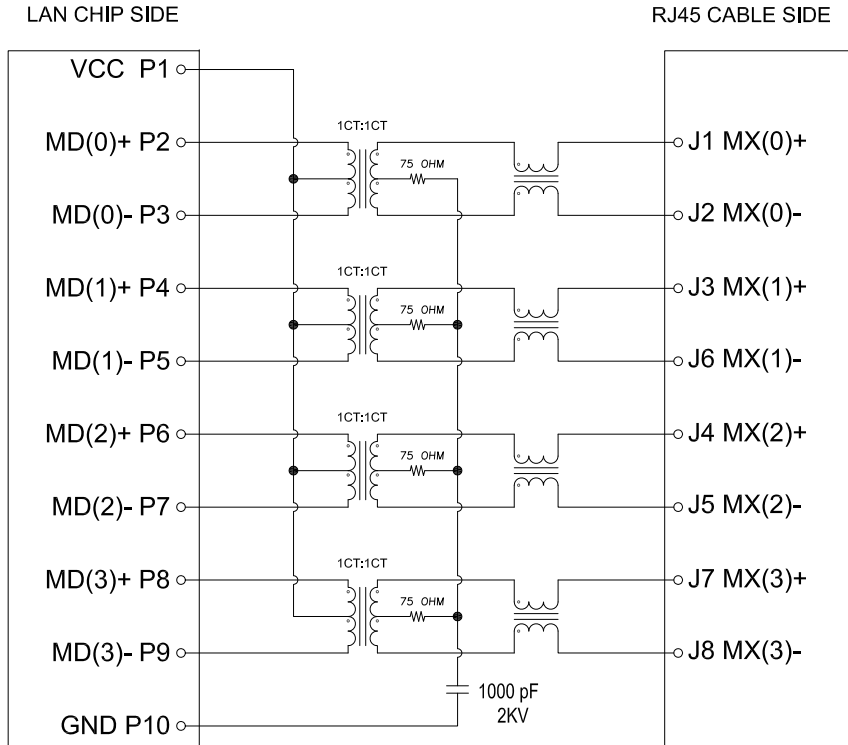
CRJM-4A8RDG0-D20HW



A	07/08/15	RELEASED FOR PRODUCTION		DESCRIPTION
REV	DATE			
UNLESS OTHERWISE SPECIFIED, DIMENSIONS ARE IN MM. TOLERANCES ARE:		CAD GENERATED DRAWING, DO NOT MANUALLY UPDATE		 DESCRIPTION RJ45 Connector, 4Port, 10P8C, Right Angle(Side Entry), DIP, Without LED, With Shielding, Transformer, 1000Mbps Fiter
DECIMALS	ANGLES	APPROVALS	DATE	
.X ± .38	± 3°	DRAWN Chris	07/08/15	
.XX ± .25		CHECKED Cindy	07/08/15	
.XXX ± .20		APPV Jason	07/08/15	
DO NOT SCALE DRAWING		SHEET 1 OF 2	SCALE NONE	DWG. NO. CRJM-4A8-D20HW
				REV. A

TRANSFORMER CODE: TYPE HW

ELECTRICAL CHARACTERISTICS:



CONNECTOR SCHEMATIC

Test Notes:(25±5°C)

- 1.TR:(100KHz,0.1V);
Pins:(P2,P3):(J1,J2)=1:1±3%;(P4,P5):(J3,J6)=1:1±3%
Pins:(P6,P7):(J4,J5)=1:1±3%;(P8,P9):(J7,J8)=1:1±3%
- 2.LX:(100KHz,100mV,8mA, DC Bias)
Pins:(P2,P3),(P4,P5),(P6,P7),(P8,P9)=350uH Minimum
- 3.DCR:
Pins:(J1-J2),(J3-J6),(J4,J5),(J7,J8)=1.2 Ω Maximum
- 4.HIPOT:
Pins:(P2,P3)To(J1,J2),(P4,P5)To(J3,J6)=1500VAC 60s or 2250VDC 60s
Pins:(P6,P7)To(J4,J5),(P8,P9)To(J7,J8)=1500VAC 60s or 2250VDC 60s
- 5.INSERTION LOSS:
-0.8dB Maximum At 0.3MHz To 100MHz;
-1.2dB Maximum At 100MHz To 120MHz
- 6.RETURN LOSS:
-18dB Minimum At 0.5MHz To 40MHz;
-12+20Log(f/80MHz)dB Minimum At 40MHz To 100MHz
- 7.CROSS TALK:
-33+20Log(f/100MHz)dB Minimum At 0.1MHz To 100MHz
- 8.COMMON TO DIFFERENTIAL MODE REJECTION:
-35dB Minimum At 300KHz To 100MHz
- 9.COMMON TO COMMON MODE REJECTION:
-30dB Minimum At 300KHz To 100MHz

A	07/08/15	RELEASED FOR PRODUCTION	
REV	DATE	DESCRIPTION	
UNLESS OTHERWISE SPECIFIED DIMENSIONS ARE IN MM TOLERANCES ARE:		CAD GENERATED DRAWING, DO NOT MANUALLY UPDATE	
DECIMALS	ANGLES	APPROVALS	DATE
.X ± .38	± 3°	DRAWN Chris	07/08/15
.XX ± .25		CHECKED Cindy	07/08/15
.XXX ± .20		APPV Jason	07/08/15
DO NOT SCALE DRAWING		SHEET 2 OF 2	SCALE NONE
		DWG. NO. CRJM-4A8-D20HW	REV. A



DESCRIPTION RJ45 Connector, 4Port, 10P8C, Right Angle(Side Entry),
DIP, Without LED, With Shielding, Transformer, 1000Mbps Filter