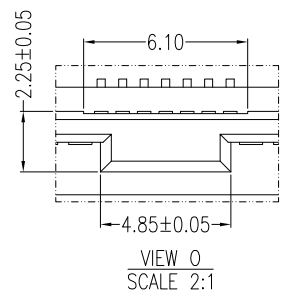
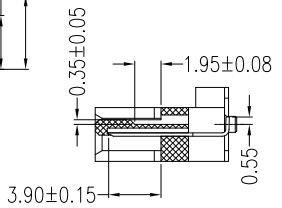
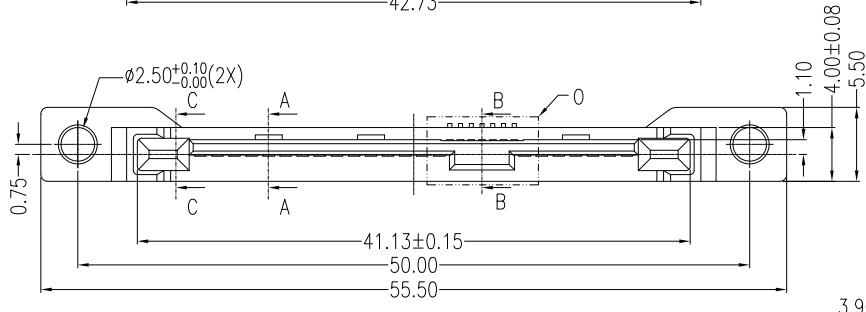


Signal Segment		Power Segment	
Pin NO.	Type	Pin NO.	Type
S1	GND	P1	V33
S2	A+	P2	V33
S3	A-	P3	V33
S4	GND	P4	GND
S5	B-	P5	GND
S6	B+	P6	GND
S7	GND	P7	V5
S8	GND	P8	V5
S9	A+	P9	V5
S10	A-	P10	GND
S11	GND	P11	DAS/DSS
S12	B-	P12	GND
S13	B+	P13	V12
S14	GND	P14	V12
		P15	V12

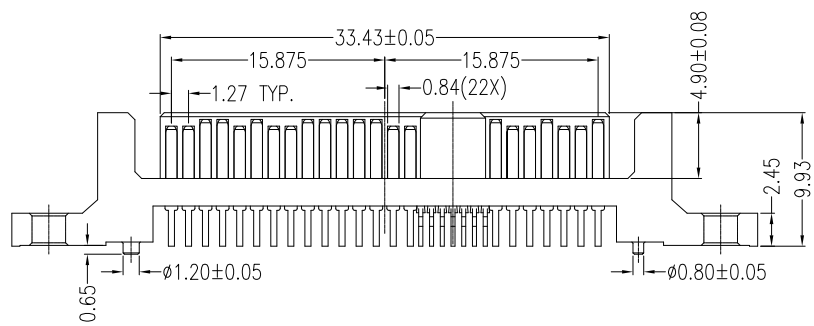
NOTES:

- Material:**
Housing: LCP+50%G.F, UL 94V-0 Rated.
Color: Black.
Contact: Phosphor Bronze.
Plating: Gold Plating over Nickel on Contact Area.
Tin Plating on Solder Tail.

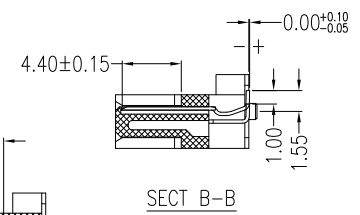


- Mechanical:**
Insertion Force: 25N Max.
Withdrawal Force: 5N Min.
Durability: 500 Cycles

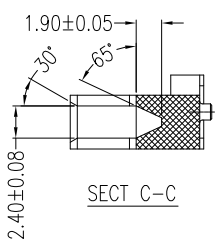
- Electrical Specification:**
Current Rating: 1.5 Ampere per Contact.
Contact Resistance: 30mΩ Max.
Insulation Resistance: 1000MΩ Min.
Dielectric Withstanding Voltage: 500 VAC.



SECT A-A

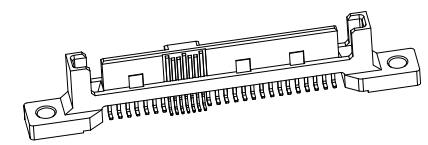


SECT B-B



SECT C-C

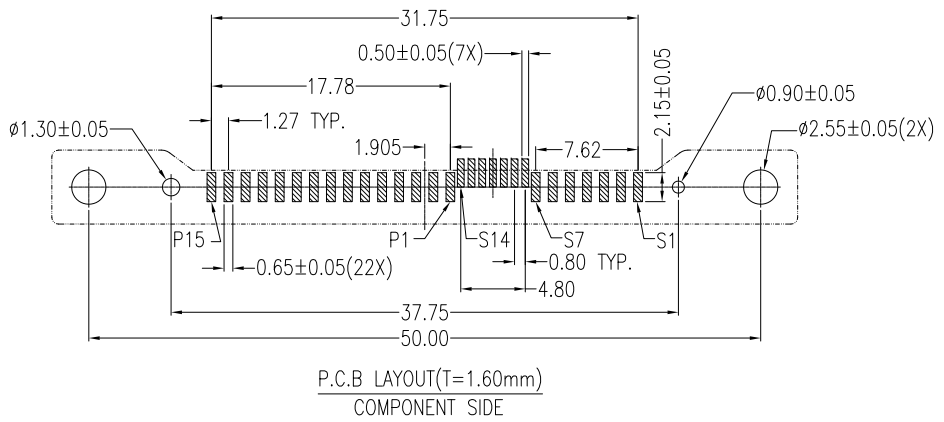
- Environmental:**
Operating Temperature: 0°C to +55°C



Part Number:

CSAS-M29VS40-M7

SAS Connector Series	Product Number:
M: Male Type	M7: SMD with Screw Holes
29: 7+7+15Pins	0: Black Color
V: Vertical Type	4: 30u" Plating
	S: SMT Type



A	09/09/10	RELEASED FOR PRODUCTION	
REV	DATE	DESCRIPTION	
UNLESS OTHERWISE SPECIFIED DIMENSIONS ARE IN MM TOLERANCES ARE:		<p>凱聯科技股份有限公司 Conn-Link Technology Inc.</p>	
DECIMALS	ANGLES		
.X ± .38	± 3°		
.XX ± .25			
.XXX ± .20		APPROVALS	DATE
DRAWN	Chris	09/09/10	
CHECKED	Cindy	09/09/10	
APPV	Jason	09/09/10	
DO NOT SCALE DRAWING	SHEET 1 OF 1	SCALE NONE	DWG. NO. CSAS-M29-M07

DESCRIPTION SAS Connector, 7+7+15P Male, Vertical Type SMD with Screw Holes

REV. A