

Pin Number	Signal Name
S1	GND
S2	A+
S3	A-
S4	GND
S5	B-
S6	B+
S7	GND

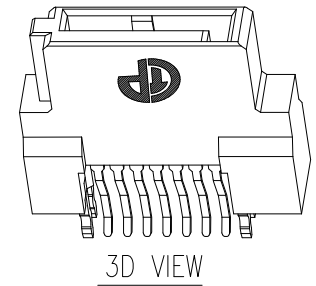
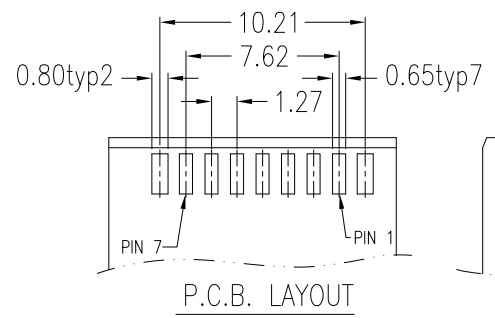
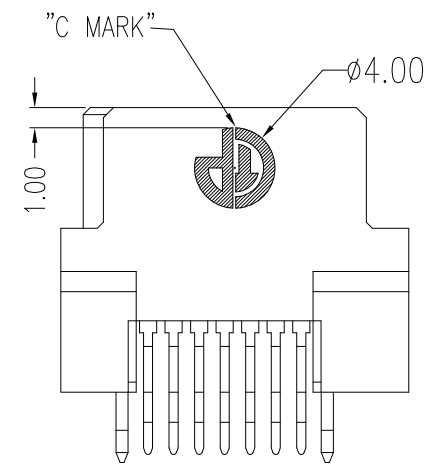
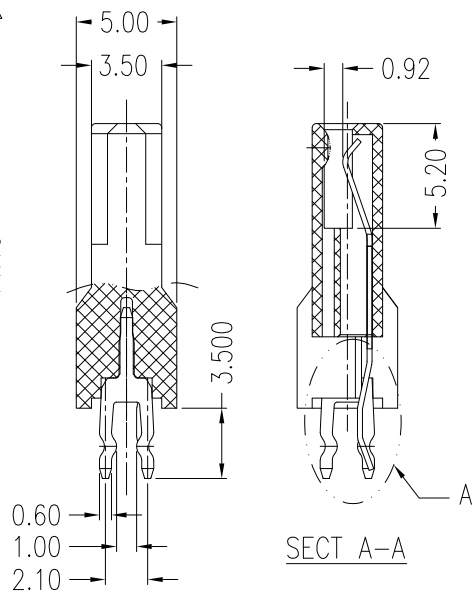
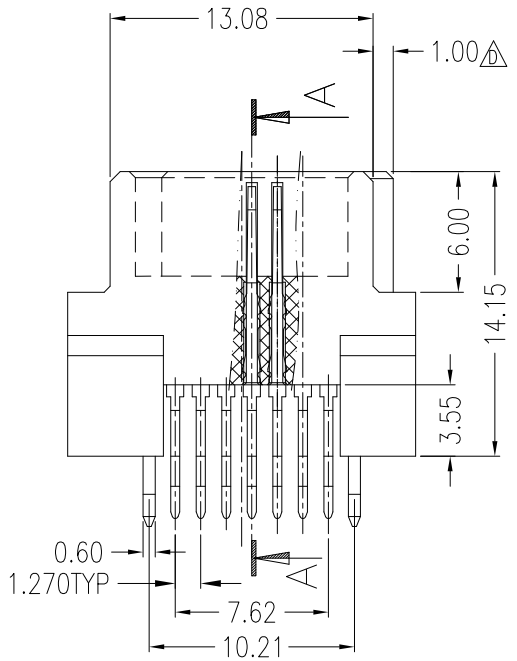
**NOTES:**

- Material:**  
 Housing: LCP+50%G.F, UL 94V-0 Rated.  
 Color: Black.  
 Contact: Phosphor Bronze.  
 Plating: Gold Plating over Nickel on Contact Area.  
 Tin Plating on Solder Tail.  
 Harpoon: Brass.  
 Plating: Nickel Plating.

- Mechanical:**  
 Insertion Force: 45N Max.  
 Withdrawal Force: 10N Min.  
 Durability: 500 Cycles

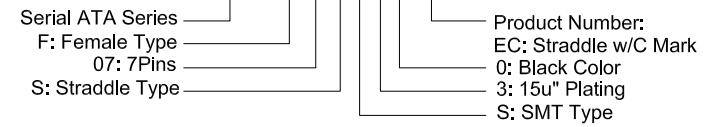
- Electrical Specification:**  
 Operation Voltage: 100VAC Max.  
 Current Rating: 1.5 Ampere per Contact.  
 Contact Resistance: 30mΩ Max.  
 Insulation Resistance: 1000MΩ Min.  
 Dielectric Withstanding Voltage: 500 VAC.

- Environmental:**  
 Operating Temperature: -55°C to +85°C



**Part Number:**

**CSAT-F07SS30-EC**



REV	DATE	RELEASED FOR PRODUCTION		DESCRIPTION	
A	07/11/07			Serial ATA 7P, Female, Straddle Type, SMT, 15u" Plating, Black Color	
UNLESS OTHERWISE SPECIFIED, DIMENSIONS ARE IN MM. TOLERANCES ARE:		CAD GENERATED DRAWING, DO NOT MANUALLY UPDATE		 <b>凱聯科技股份有限公司</b> <b>Conn-Link Technology Inc.</b>	
DECIMALS .X ± .38		APPROVALS	DATE		
ANGLES .XX ± .25		DRAWN Chris	07/11/07		
.XXX ± .20		CHECKED Cindy	07/11/07		
DO NOT SCALE DRAWING		APPV Jason	07/11/07	DWG. NO. CSAT-F07-E4C	
SHEET 1 OF 1		SCALE NONE		REV. A	