

Pin Number	Signal Name	Pin Number	Power Line Designation
S1	GND	P1	DP
S2	A+	P2	+5V
S3	A-	P3	+5V
S4	GND	P4	MD
S5	B-	P5	GND
S6	B+	P6	GND
S7	GND		

**NOTES:**

**1. Material:**

Housing: LCP+50%G.F, UL 94V-0 Rated.  
 Color: Black.  
 Contact: Phosphor Bronze.  
 Plating: Gold Plating over Nickel on Contact Area.  
 Tin Plating on Solder Tail.  
 Harpoon: Brass.  
 Plating: Tin Plating over Nickel.

**2. Mechanical:**

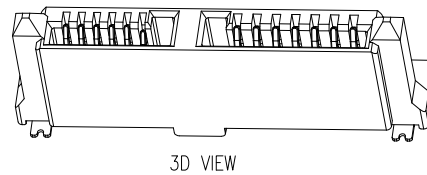
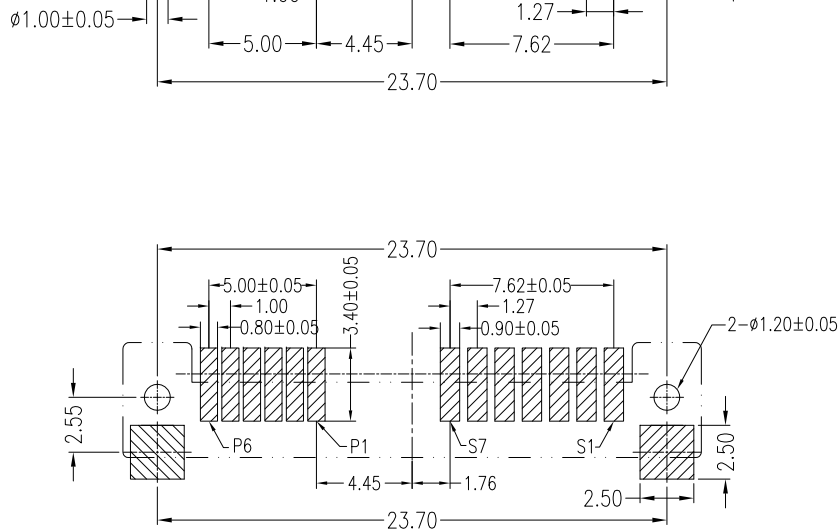
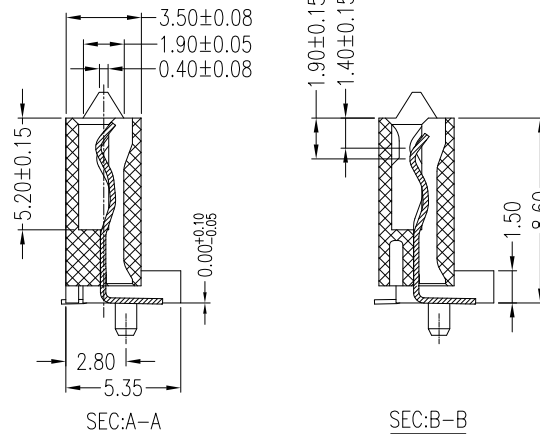
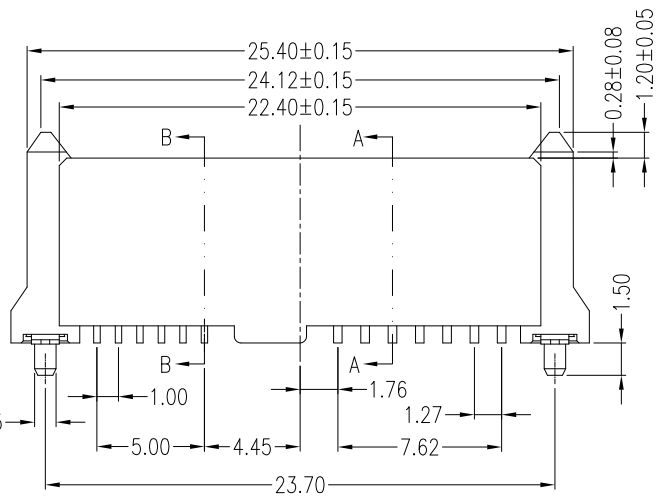
Insertion Force: 45N Max.  
 Withdrawal Force: 10N Min.  
 Durability: 500 Cycles

**3. Electrical Specification:**

Operation Voltage: 100VAC Max.  
 Current Rating: 1.5 Ampere per Contact.  
 Contact Resistance: 30mΩ Max.  
 Insulation Resistance: 1000MΩ Min.  
 Dielectric Withstanding Voltage: 500 VAC.

**4. Environmental:**

Operating Temperature: -55°C to +85°C



**Part Number:**

**CSAT-F13VS30-N6**

Serial ATA Series: F: Female Type, 13: 7+6Pins, V: Vertical Type  
 Product Number: N6: With Post, H: 9.8mm, 0: Black Color, 3: 15u" Plating, S: SMT Type

REV	DATE	DESCRIPTION
A	01/08/10	RELEASED FOR PRODUCTION
UNLESS OTHERWISE SPECIFIED, DIMENSIONS ARE IN MM. TOLERANCES ARE:		
DECIMALS	ANGLES	 <b>凱聯科技股份有限公司</b> <b>Conn-Link Technology Inc.</b>
.X ± .38	± 3°	
.XX ± .25		
.XXX ± .20		DESCRIPTION: Slim Line SATA 7+6P Female, Vertical SMT Type, With Post, H:9.8mm
DO NOT SCALE DRAWING	SHEET 1 OF 1	SCALE NONE
DWG. NO. CSAT-F13-N06		REV. A