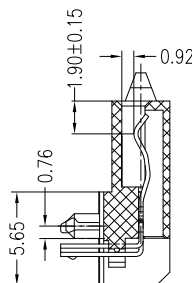
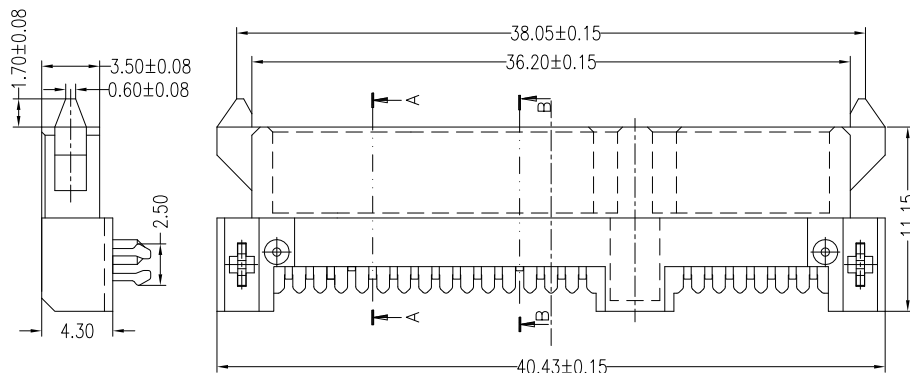


Signal Segment	
Name	Type
S1	GND
S2	A+
S3	A-
S4	GND
S5	B-
S6	B+
S7	GND

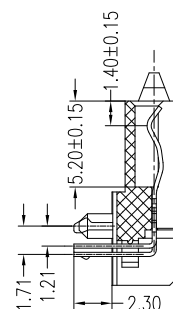
Power Segment			
Name	Type	Name	Type
P1	V33	P9	V5
P2	V33	P10	GND
P3	V33	P11	DAS/DSS
P4	GND	P12	GND
P5	GND	P13	V12
P6	GND	P14	V12
P7	V5	P15	V12
P8	V5		

NOTES:

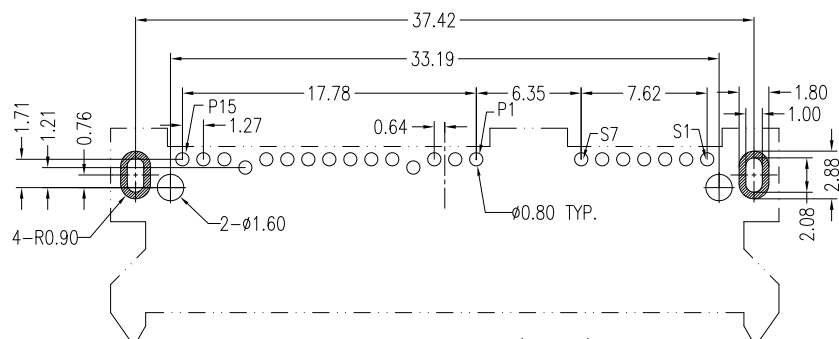
- Material:**
 Housing: LCP+50%G.F, UL 94V-0 Rated.
 Color: Black.
 Contact: Phosphor Bronze.
 Plating: Gold Plating over Nickel on Contact Area.
 Tin Plating on Solder Tail.
 Harpoon: Brass.
 Plating: Tin Plating over Nickel.
- Mechanical:**
 Insertion Force: 45N Max.
 Withdrawal Force: 10N Min.
 Durability: 500 Cycles
- Electrical Specification:**
 Operation Voltage: 100VAC Max.
 Current Rating: 1.5 Ampere per Contact.
 Contact Resistance: 30mΩ Max.
 Insulation Resistance: 1000MΩ Min.
 Dielectric Withstanding Voltage: 500 VAC.
- Environmental:**
 Operating Temperature: -55°C to + 125°C



SECT A-A



SECT B-B




P.C.B LAYOUT (T=1.2)
TOP VIEW

Part Number:

CSAT-F22RD30-R2

Serial ATA Series
 F: Female Type
 22: 7+15Pins
 R: Right Angle
 2: H=4.3mm High
 R: Reverse Type
 0: Black Color
 3: 15u" Plating
 D: DIP Type

A	01/15/07	RELEASED FOR PRODUCTION		DESCRIPTION		
REV	DATE	DESCRIPTION				
UNLESS OTHERWISE SPECIFIED DIMENSIONS ARE IN MM TOLERANCES ARE:		CAD GENERATED DRAWING, DO NOT MANUALLY UPDATE		 凱聯科技股份有限公司 Conn-Link Technology Inc.		
DECIMALS ANGLES		APPROVALS	DATE			DESCRIPTION
.X ± .38	± 3°	DRAWN Chris	01/15/07			
.XX ± .25		CHECKED Cindy	01/15/07			
.XXX ± .20		APPV Jason	01/15/07			
DO NOT SCALE DRAWING		SHEET 1 OF 1	SCALE NONE	DWG. NO. CSAT-F22-B0B	REV. A	