

Signal Segment	
Name	Type
S1	GND
S2	A+
S3	A-
S4	GND
S5	B-
S6	B+
S7	GND

Power Segment			
Name	Type	Name	Type
P1	V33	P9	V5
P2	V33	P10	GND
P3	V33	P11	DAS/DSS
P4	GND	P12	GND
P5	GND	P13	V12
P6	GND	P14	V12
P7	V5	P15	V12
P8	V5		

**NOTES:**

**1. Material:**

Housing: LCP+50%G.F, UL 94V-0 Rated.  
 Color: Black.  
 Contact: Phosphor Bronze.  
 Plating: Gold Plating over Nickel on Contact Area.  
 Tin Plating on Solder Tail.  
 Harpoon: Brass.  
 Plating: Tin Plating over Nickel.

**2. Mechanical:**

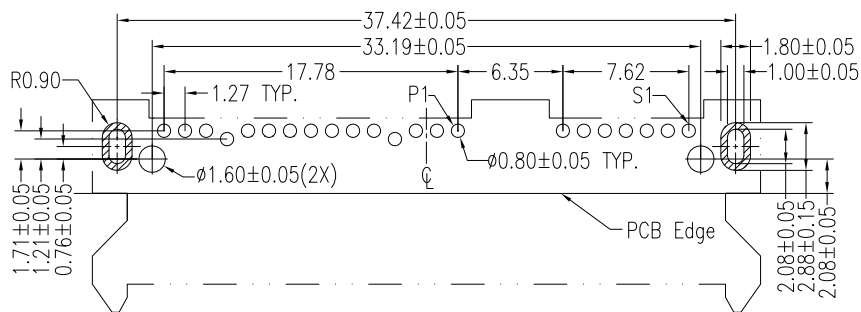
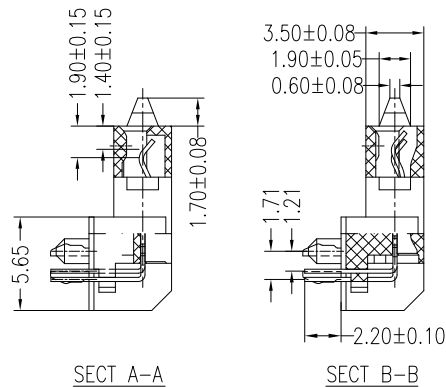
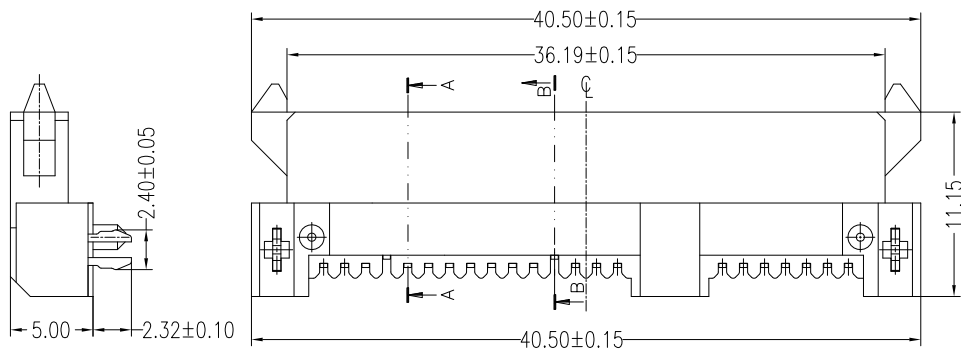
Insertion Force: 45N Max.  
 Withdrawal Force: 10N Min.  
 Durability: 500 Cycles

**3. Electrical Specification:**

Operation Voltage: 100VAC Max.  
 Current Rating: 1.5 Ampere per Contact.  
 Contact Resistance: 30mΩ Max.  
 Insulation Resistance: 1000MΩ Min.  
 Dielectric Withstanding Voltage: 500 VAC.

**4. Environmental:**

Operating Temperature: -55°C to +85°C



P.C.B LAYOUT(T=1.6mm)  
 COMPONENT SIDE

**Part Number:**

**CSAT-F22RD30-R3**

Serial ATA Series  
 F: Female Type  
 22: 7+15Pins  
 R: Right Angle  
 3: H=5.0mm High  
 R: Reverse Type  
 0: Black Color  
 3: 15u" Plating  
 D: DIP Type

A	09/23/10	RELEASED FOR PRODUCTION	
REV	DATE	DESCRIPTION	
UNLESS OTHERWISE SPECIFIED DIMENSIONS ARE IN MM TOLERANCES ARE:		CAD GENERATED DRAWING, DO NOT MANUALLY UPDATE	
DECIMALS	ANGLES	APPROVALS	DATE
.X ± .38	± 3°	DRAWN	Chris 09/23/10
.XX ± .25		CHECKED	Cindy 09/23/10
.XXX ± .20		APPV	Jason 09/23/10
DO NOT SCALE DRAWING	SHEET 1 OF 1	SCALE NONE	DWG. NO. CSAT-F22-B0A
		DESCRIPTION Serial ATA 7+15P Female, Right Angle Reverse Type, DIP, H:5.0mm	
		REV. A	

