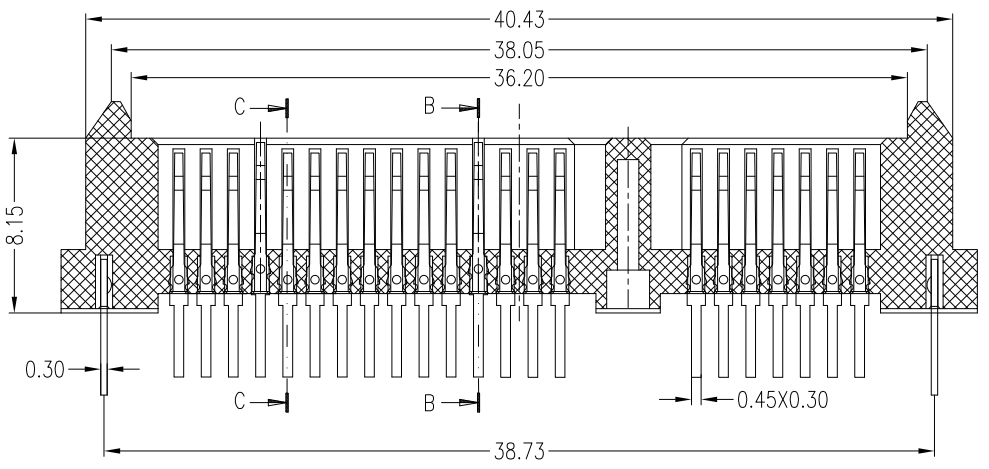
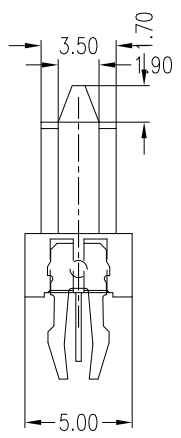


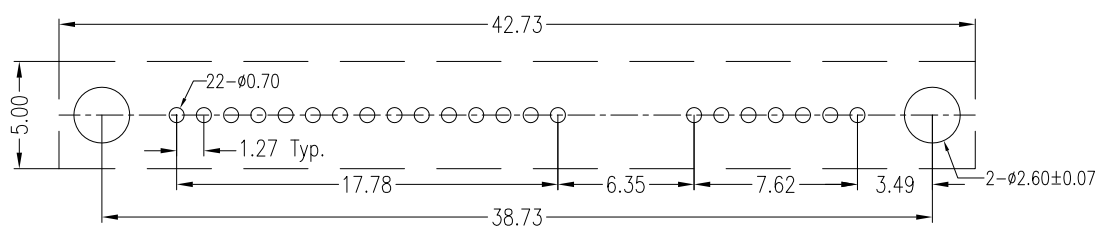
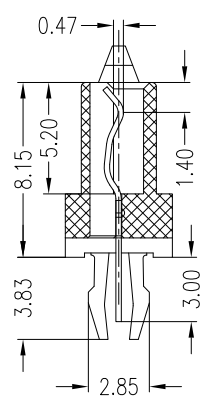
SECT C-C



SECT A-A



SECT B-B



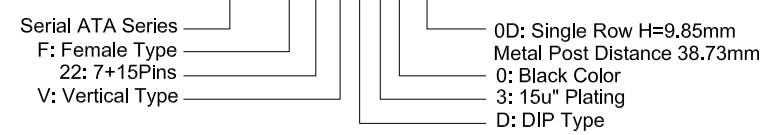
P.C.B. Layout
TOP VIEW

NOTES:

- Material:**
Housing: LCP+50%G.F, UL 94V-0 Rated.
Color: Black.
Contact: Phosphor Bronze.
Plating: Gold Plating over Nickel on Contact Area.
Tin Plating on Solder Tail.
Harpoon: Brass.
Plating: Tin Plating over Nickel.
- Mechanical:**
Insertion Force: 45N Max.
Withdrawal Force: 10N Min.
Durability: 500 Cycles
- Electrical Specification:**
Operation Voltage: 100VAC Max.
Current Rating: 1.5 Ampere per Contact.
Contact Resistance: 30mΩ Max.
Insulation Resistance: 1000MΩ Min.
Dielectric Withstanding Voltage: 500 VAC.
- Environmental:**
Operating Temperature: -55°C to +85°C

Part Number:

CSAT-F22VD30-0D



A	01/28/05	RELEASED FOR PRODUCTION	
REV	DATE	DESCRIPTION	
UNLESS OTHERWISE SPECIFIED DIMENSIONS ARE IN MM TOLERANCES ARE:		凱聯科技股份有限公司 Conn-Link Technology Inc.	
DECIMALS	ANGLES		
.X ± .38	± 3°		
.XX ± .25			
.XXX ± .20		DESCRIPTION	Serial ATA 7+15P Female, Vertical, Single Row DIP H=9.85mm, Metal Post Distance 38.73mm
DO NOT SCALE DRAWING	SHEET 1 OF 1	SCALE NONE	DWG. NO. CSAT-F22-R0B
			REV. A