

Pin NO.	Signal Name	Pin NO.	Power Name	Pin NO.	Power Name
S1	GND	P1	V33	P9	V5
S2	A+	P2	V33	P10	GND
S3	A-	P3	V33	P11	DAS/DSS
S4	GND	P4	GND	P12	GND
S5	B-	P5	GND	P13	V12
S6	B+	P6	GND	P14	V12
S7	GND	P7	V5	P15	V12
		P8	V5		

NOTES:

1. Material:

Housing: LCP+50%G.F, UL 94V-0 rated.
 Color: Black.
 Contact: Phosphor Bronze.
 Plating: Gold Plating over Nickel on Contact Area.
 Tin Plating on Solder tail.
 Harpoon: Brass.
 Plating: Tin Plating over Nickel.

2. Mechanical:

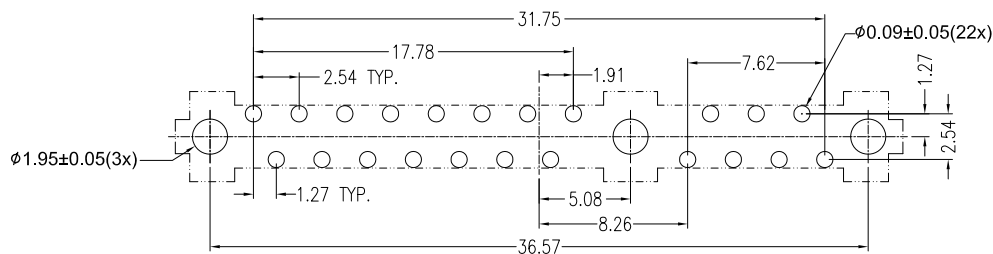
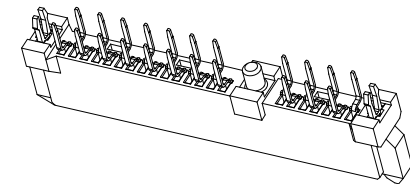
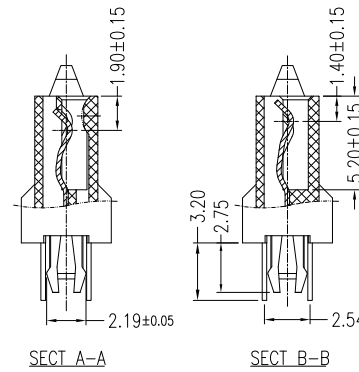
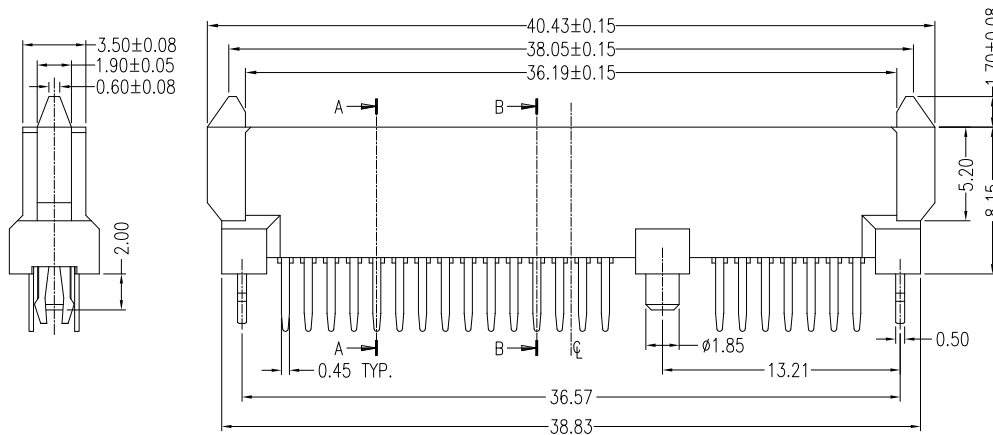
Insertion Force: 45N Max.
 Withdrawal Force: 10N Min.
 Durability: 500 cycles

3. Electrical Specification:

Current Rating: 1.5 Ampere per Contact.
 Contact Resistance: 30mΩ Max.
 Insulation Resistance: 1000MΩ Min.
 Dielectric Withstanding Voltage: 500 VAC.

4. Environmental:

Operating Temperature: -55°C to +85°C



P.C.B LAYOUT(T=1.60mm)
COMPONENT SIDE

CSAT-F22VD3 0 -11

- Serial ATA Series
- F: Female Type
- 22: 7+15Pins
- V: Vertical
- 11: Two Row DIP(H=9.85)
- 0: Black Color
- 3: 15u" Plating
- D: DIP Type

A	01/21/11	RELEASED FOR PRODUCTION	
REV	DATE	DESCRIPTION	
UNLESS OTHERWISE SPECIFIED DIMENSIONS ARE IN MM TOLERANCES ARE:		CAD GENERATED DRAWING, DO NOT MANUALLY UPDATE	
DECIMALS	ANGLES	APPROVALS	DATE
.X ± .38	± 3°	DRAWN	Chris 01/21/11
.XX ± .25		CHECKED	Cindy 01/21/11
.XXX ± .20		APPV	Jason 01/24/11
DO NOT SCALE DRAWING	SHEET 1 OF 1	SCALE NONE	DWG. NO. CSAT-F22-S01
		DESCRIPTION Serial ATA 7+15P Female, Vertical DIP Two Row Type, H:9.85mm	
		REV. A	

