

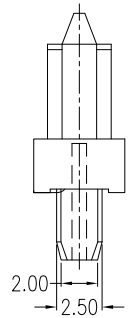
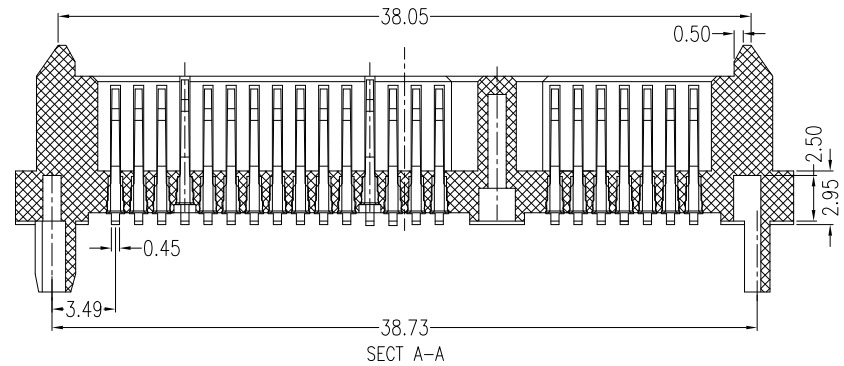
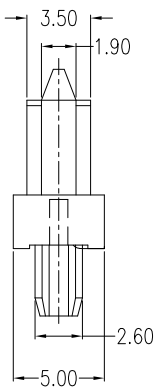
NOTES:

- 1. Material:
 Housing: LCP+50%G.F, UL 94V-0 Rated.
 Color: Black.
 Contact: Phosphor Bronze.
 Plating: Gold Plating over Nickel on Contact Area.
 Tin Plating on Solder Tail.

- 2. Mechanical:
 Insertion Force: 45N Max.
 Withdrawal Force: 10N Min.
 Durability: 500 Cycles

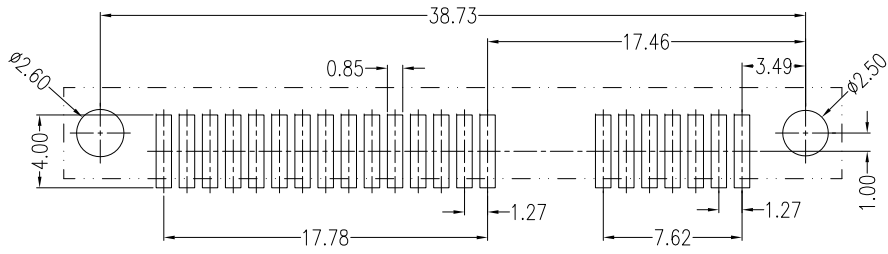
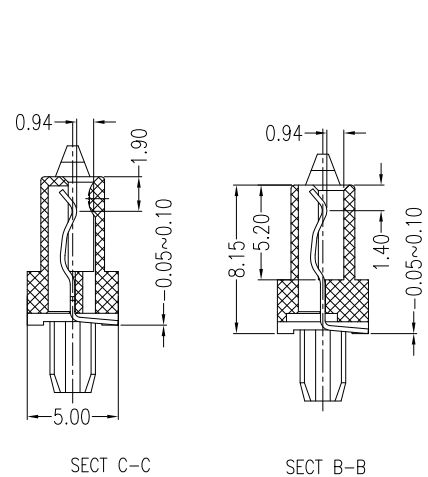
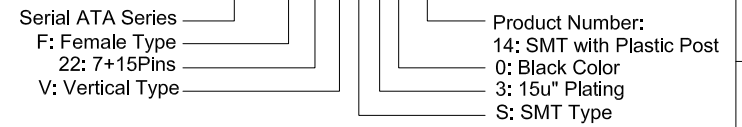
- 3. Electrical Specification:
 Operation Voltage: 100VAC Max.
 Current Rating: 1.5 Ampere per Contact.
 Contact Resistance: 30mΩ Max.
 Insulation Resistance: 1000MΩ Min.
 Dielectric Withstanding Voltage: 500 VAC.

- 4. Environmental:
 Operating Temperature: -55°C to +85°C



Part Number:

CSAT-F22VS30-14



A	09/08/06	RELEASED FOR PRODUCTION	
REV	DATE	DESCRIPTION	
UNLESS OTHERWISE SPECIFIED, DIMENSIONS ARE IN MM. TOLERANCES ARE:		CAD GENERATED DRAWING, DO NOT MANUALLY UPDATE	
DECIMALS	ANGLES	APPROVALS	DATE
.X ± .38	± 3°	DRAWN	Chris 09/08/06
.XX ± .25		CHECKED	Cindy 09/08/06
.XXX ± .20		APPV	Jason 09/08/06
DO NOT SCALE DRAWING	SHEET 1 OF 1	SCALE NONE	DWG. NO. CSAT-F22-S04
		DESCRIPTION: Serial ATA 7+15P Female, Vertical Type SMT with Plastic Post, H:9.85mm	
		REV. A	

