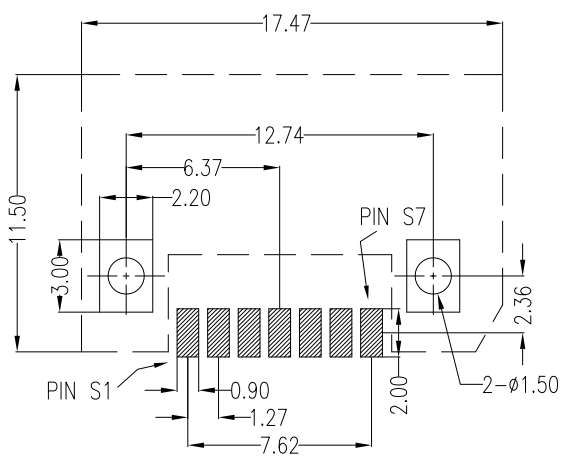
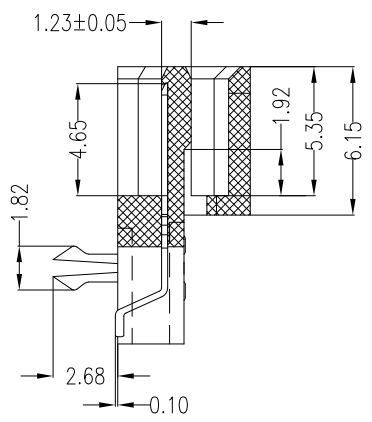


NOTES:

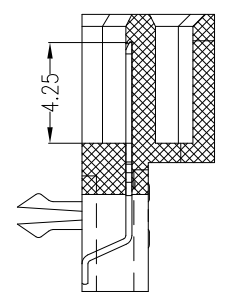
- Material:**
 Housing: LCP+50%G.F, UL 94V-0 Rated.
 Color: Black.
 Contact: Phosphor Bronze.
 Plating: Gold Plating over Nickel on Contact Area.
 Tin Plating on Solder Tail.
 Harpoon: Brass.
 Plating: Tin Plating over Nickel.
- Mechanical:**
 Insertion Force: 45N Max.
 Withdrawal Force: 10N Min.
 Durability: 500 Cycles
- Electrical Specification:**
 Operation Voltage: 100VAC Max.
 Current Rating: 1.5 Ampere per Contact.
 Contact Resistance: 30mΩ Max.
 Insulation Resistance: 1000MΩ Min.
 Dielectric Withstanding Voltage: 500 VAC.
- Environmental:**
 Operating Temperature: -55°C to +125°C



P.C.B. Layout



SECT A-A

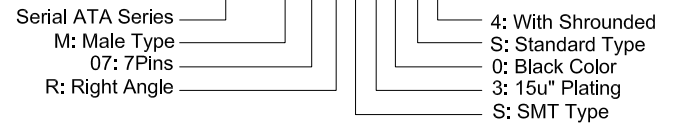


SECT B-B

Signal	Segment
Name	Type
S1	GND
S2	A+
S3	A-
S4	GND
S5	B-
S6	B+
S7	GND

Part Number:

CSAT-M07RS30-S4



A	05/31/05	RELEASED FOR PRODUCTION	
REV	DATE	DESCRIPTION	
UNLESS OTHERWISE SPECIFIED, DIMENSIONS ARE IN MM. TOLERANCES ARE:		CAD GENERATED DRAWING, DO NOT MANUALLY UPDATE	
DECIMALS	ANGLES	APPROVALS	DATE
.X ± .38	± 3°	DRAWN Chris	05/31/05
.XX ± .25		CHECKED Cindy	05/31/05
.XXX ± .20		APPV Jason	05/31/05
DO NOT SCALE DRAWING		SHEET 1 OF 1	SCALE NONE
		DWG. NO. CSAT-M07-0S4	REV. A



Serial ATA 7P Male, Right Angle, SMT, Standard Type, With Shrouded