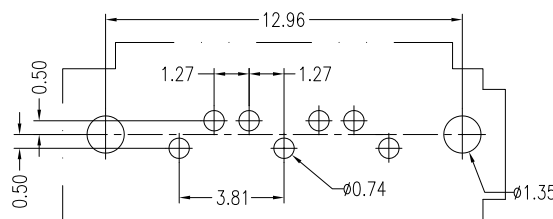
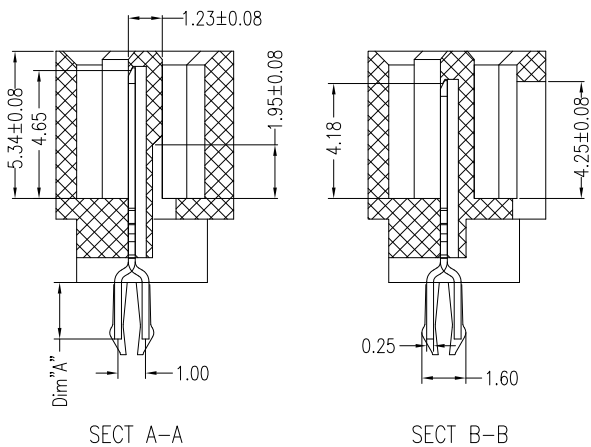


NOTES:

- Material:**
 Housing: Nylon46, UL 94V-0 rated.
 Color: Black.
 Contact: Brass
 Plating: Gold Plating over Nickel on Contact Area.
 Tin Plating on Solder tail.
 Harpoon: Brass.
 Plating: Tin Plating over Nickel.
- Mechanical:**
 Insertion Force: 45N Max.
 Withdrawal Force: 10N Min.
 Durability: 500 Cycles
- Electrical Specification:**
 Current Rating: 1.5 Ampere per Contact.
 Contact Resistance: 30mΩ Max.
 Insulation Resistance: 1000MΩ Min.
 Dielectric Withstanding Voltage: 500 VAC.
- Environmental:**
 Operating Temperature: -55°C to +85°C

Unit:mm

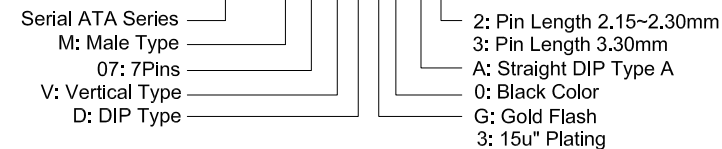
Part Number	Dim`A`
CSAT-M07VDG0-A2	2.15~2.30
CSAT-M07VDG0-A3	3.30




P.C.B. Layout
(T=1.60mm)

Part Number:

CSAT-M07VDG0-A2



A	09/26/07	RELEASED FOR PRODUCTION	
REV	DATE	DESCRIPTION	
UNLESS OTHERWISE SPECIFIED DIMENSIONS ARE IN MM TOLERANCES ARE:		 凱聯科技股份有限公司 Conn-Link Technology Inc.	
DECIMALS	ANGLES		
.X ± .38	± 3°		
.XX ± .25			
.XXX ± .20		DESCRIPTION	Serial ATA, 7P, Male, Shrouded, Vertical Type DIP Type A 2.15~2.30mm, Gold Flash, Black Color
DO NOT SCALE DRAWING	SHEET 1 OF 1	SCALE NONE	DWG. NO. CSAT-M07-0G1

REV. A