

**NOTES:**

- Material:**  
 Housing: Nylon46, UL 94V-0 rated.  
 Color: Black.  
 Contact: Brass  
 Plating: Gold Plating over Nickel on Contact Area.  
 Tin Plating on Solder tail.  
 Harpoon: Brass.  
 Plating: Tin Plating over Nickel.

- Mechanical:**  
 Insertion Force: 45N Max.  
 Withdrawal Force: 10N Min.  
 Durability: 500 Cycles

- Electrical Specification:**  
 Current Rating: 1.5 Ampere per Contact.  
 Contact Resistance: 30mΩ Max.  
 Insulation Resistance: 1000MΩ Min.  
 Dielectric Withstanding Voltage: 500 VAC.

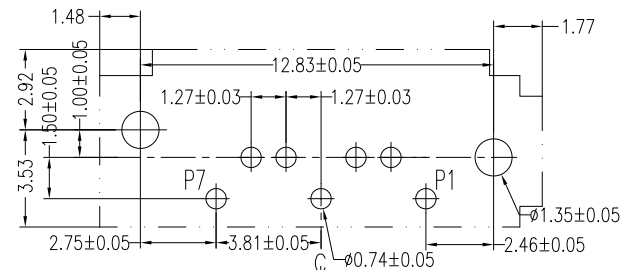
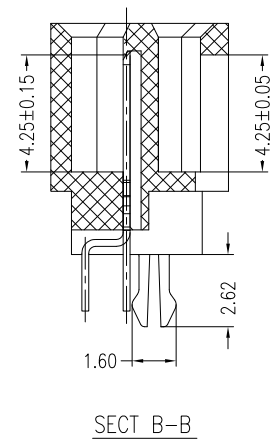
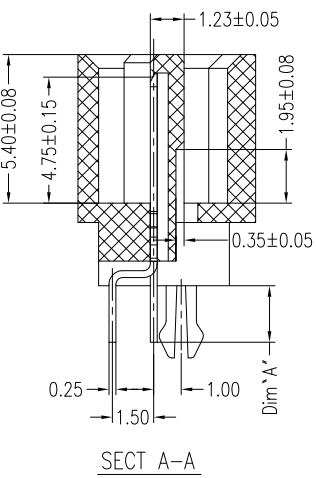
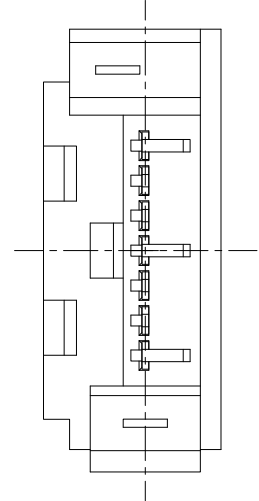
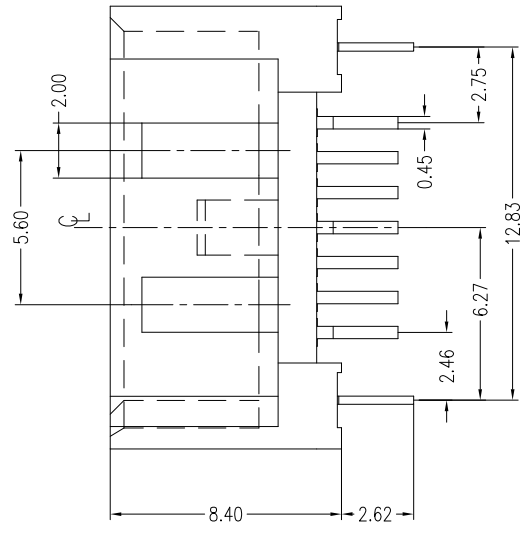
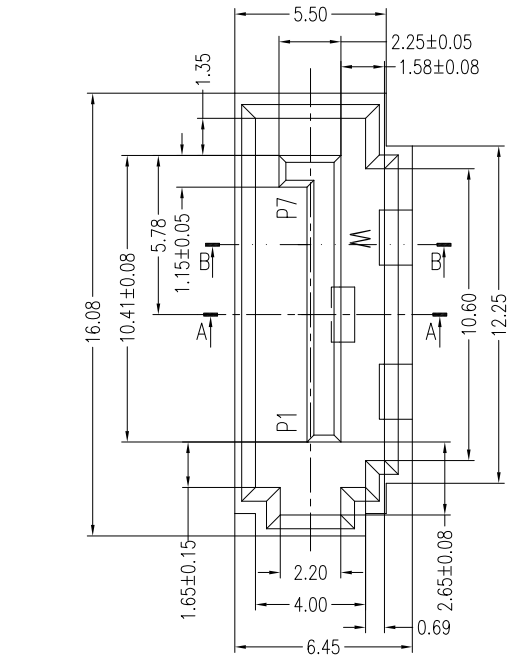
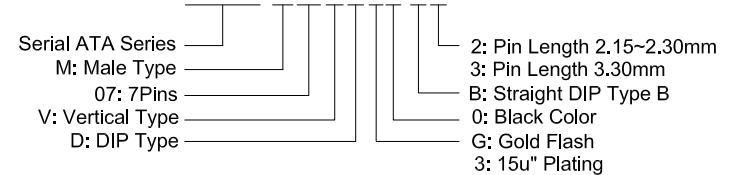
- Environmental:**  
 Operating Temperature: -55°C to +85°C

Unit: mm

Part Number	Dim "A"
CSAT-M07VDG0-B2	2.15~2.30
CSAT-M07VDG0-B3	2.80

**Part Number:**

**CSAT-M07VDG0-B2**



P.C.B. Layout (T=1.60mm)  
Top View

A	05/11/09	RELEASED FOR PRODUCTION	
REV	DATE	DESCRIPTION	
UNLESS OTHERWISE SPECIFIED DIMENSIONS ARE IN MM TOLERANCES ARE:			
DECIMALS	ANGLES	APPROVALS	DATE
.X ± .38	± 3°	DRAWN Chris	05/11/09
.XX ± .25		CHECKED Cindy	05/11/09
.XXX ± .20		APPV Jason	05/11/09
DO NOT SCALE DRAWING		SHEET 1 OF 1	SCALE NONE
		DWG. NO.	CSAT-M07-0G3
		REV.	A



Serial ATA, 7P, Male, Shrouded, Vertical Type  
DIP Type B 2.15~2.30mm, Gold Flash, Black Color