

PIN NO.	SIGNAL NAME
P1	V33
P2	V33
P3	V33
P4	GND
P5	GND
P6	GND
P7	V5
P8	V5
P9	V5
P10	GND
P11	DAS/DSS
P12	GND
P13	V12
P14	V12
P15	V12

NOTES:

1. Material:

Housing: LCP+50%G.F, UL 94V-0 Rated.
 Color: Black.
 Contact: Brass.
 Plating: Gold Plating over Nickel on Contact Area.
 Tin Plating on Solder Tail.
 Harpoon: Brass.
 Plating: Tin Plating over Nickel.

2. Mechanical:

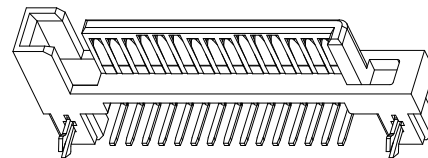
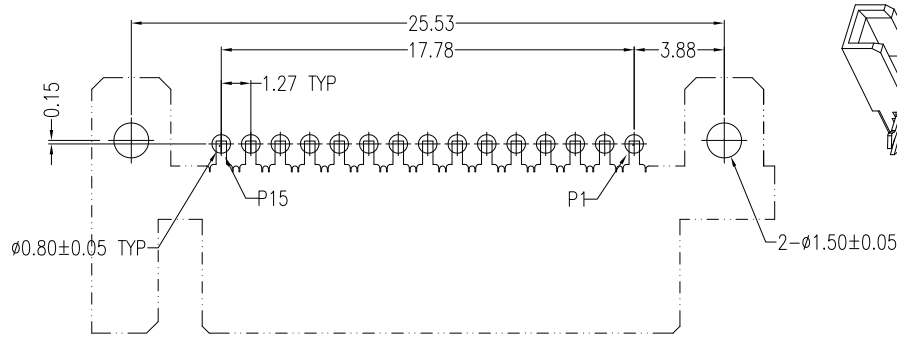
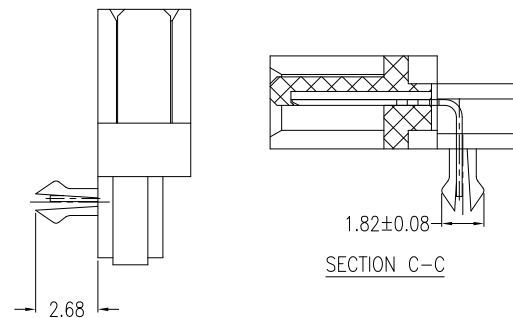
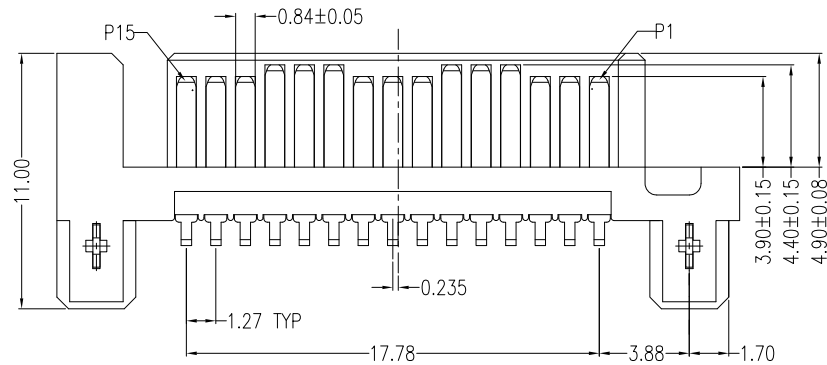
Insertion Force: 45N Max.
 Withdrawal Force: 10N Min.
 Durability: 500 Cycles

3. Electrical Specification:

Operation Voltage: 100VAC Max.
 Current Rating: 1.5 Ampere per Contact.
 Contact Resistance: 30mΩ Max.
 Insulation Resistance: 1000MΩ Min.
 Dielectric Withstanding Voltage: 500 VAC.

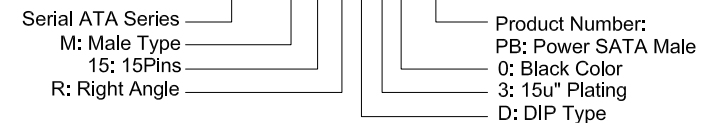
4. Environmental:


Operating Temperature: -55°C to +85°C



Part Number:

CSAT-M15RD30-PB



A	09/13/11	RELEASED FOR PRODUCTION		DESCRIPTION	
REV	DATE	DESCRIPTION			
UNLESS OTHERWISE SPECIFIED, DIMENSIONS ARE IN MM. TOLERANCES ARE:		CAD GENERATED DRAWING, DO NOT MANUALLY UPDATE		 凱聯科技股份有限公司 Conn-Link Technology Inc.	
DECIMALS	ANGLES	APPROVALS	DATE		
.X ± .38	± 3°	DRAWN Chris	09/13/11		
.XX ± .25		CHECKED Cindy	09/13/11		
.XXX ± .20		APPV Jason	09/13/11	DESCRIPTION	
DO NOT SCALE DRAWING		SHEET 1 OF 1	SCALE NONE	DWG. NO.	CSAT-M07-H0B
				REV.	A