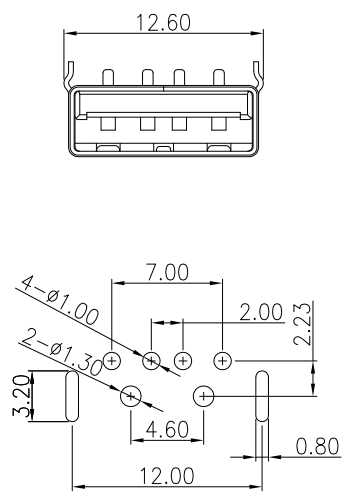
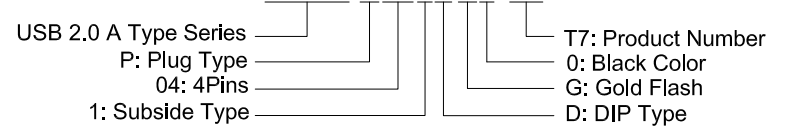


**NOTES:**


- 1. Mechanical:  
Mating: 35N Max.  
Withdrawal: 10N Min.  
Durability: 1500Cycles Min.
- 2. Electrical Specification:  
Operation Voltage: 30V Max.  
Current Rating: 1.5A Max.  
Contact Resistance: 30mΩ Max  
Insulation Resistance: 1000MΩ Min  
Dielectric Withstanding Voltage: 500V AC
- 3.Environmental:  
Operation Temperature: -55°C ~ +85°C

**Part Number:**

**CU2A-P041DG0-T7**



**RECOMMEND PCB LAYOUT**

A	08/25/06	RELEASED FOR PRODUCTION	
REV	DATE	DESCRIPTION	
UNLESS OTHERWISE SPECIFIED DIMENSIONS ARE IN MM TOLERANCES ARE:		 <b>凱聯科技股份有限公司</b> <b>Conn-Link Technology Inc.</b>	
DECIMALS ANGLES			
.X ± .38	± 3°		
.XX ± .25			
.XXX ± .20		DESCRIPTION	
DO NOT SCALE DRAWING		USB A Type, Plug, Subside Type, DIP, With Harpoon	
SHEET	SCALE	DWG. NO.	REV.
1 OF 1	NONE	CU2A-P04-TT7	A