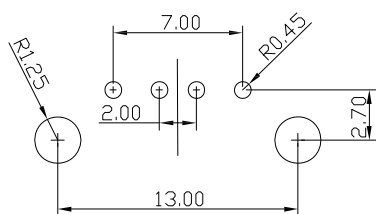
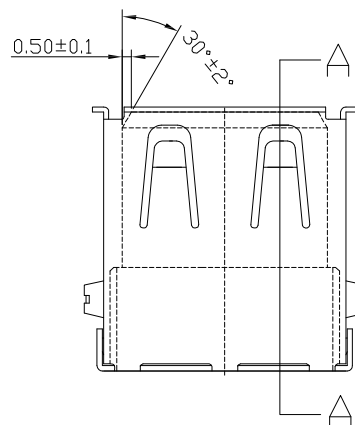
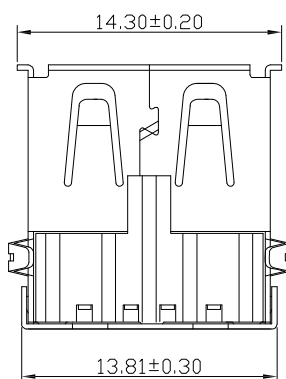
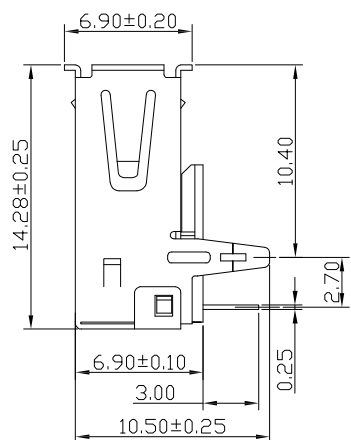
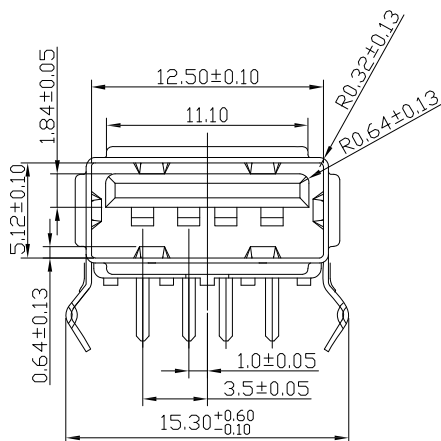
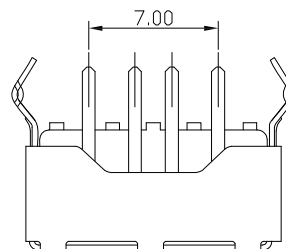


SECTION A-A



LAYOUT P.C.B



NOTES:

1. Material:

Housing: PBT, UL94 V-0 Rated.

Color: White.

Contact: Brass, T=0.25mm.

Plating: Gold Plating over Nickel on Contact Area.

Tin Plating over Nickel on Solder Tail.

Shield: SPCC, T=0.30mm.

Plating: Nickel Plating.

2. Electrical Specification:

Contact Resistance: 30MΩ Max.

Insulation Resistance: 1000MΩ Min.

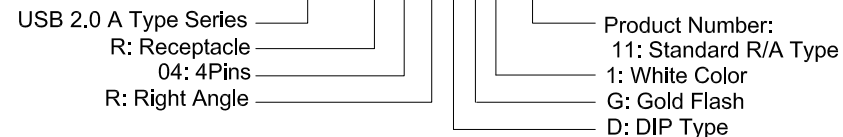
Dielectric Voltage: 500VAC 1 sec level.


3: Environmental:

Operating Temperature: -55°C to +85°C.

Part Number:

CU2A-R04RDG1-11



A	07/20/10	RELEASED FOR PRODUCTION	
REV	DATE	DESCRIPTION	
UNLESS OTHERWISE SPECIFIED DIMENSIONS ARE IN MM TOLERANCES ARE:		 凱聯科技股份有限公司 Conn-Link Technology Inc.	
DECIMALS	ANGLES		
.X ± .38	± 3°		
.XX ± .25			
.XXX ± .20		DESCRIPTION	USB A Type, Receptacle, 4Pins, Right Angle DIP Type, White Color, Gold Flash
DO NOT SCALE DRAWING	SHEET 1 OF 1	SCALE NONE	DWG. NO. CU2A-R04-111