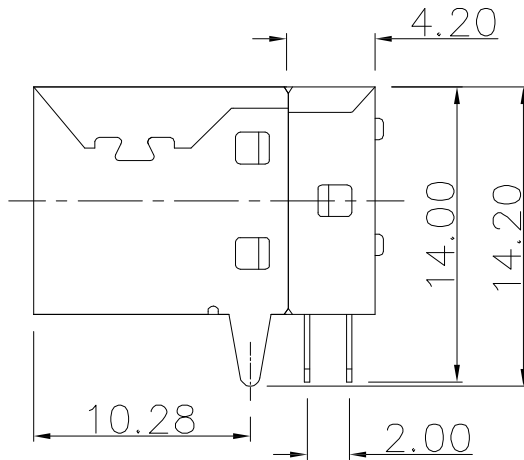
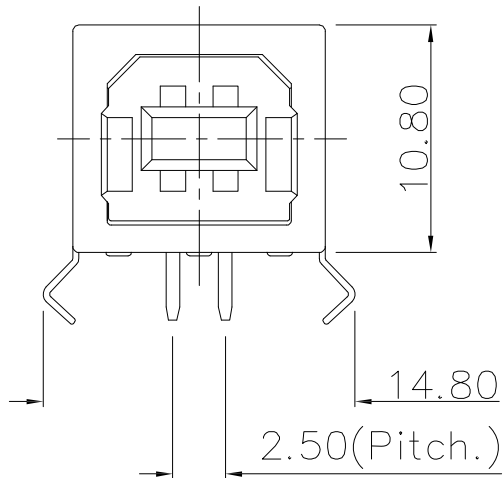


Recommend PCB Layout



NOTES:

1. Material:

Housing: High-Thermoplastic, UL94 V-0.
 Color: Black or White.
 Contact: Phosphor Bronze.
 Plating: Gold Plating over Nickel(50u") on Contact Area,
 Tin(80u"~100u") Plating over Nickel(50u") on Solder Tail.
 Shield: SPCC.
 Plating: Nickel(100u"~120u") Plating.

2. Mechanical:

Insertion Force: 40N(4.0Kgf) Max.
 Withdrawal Force: 10N(1.02Kgf) Min.
 Contact Retention Force: 1.47N (0.15Kgf) Min.
 Durability: 5000 cycles

3. Electrical Specification:

Current Rating: 1.0Ampere Max per Contact.
 Contact Resistance: 50mΩ Max.
 Insulation Resistance: 100MΩ Min Initial at 100VDC.
 Dielectric Withstanding Voltage: 500 VAC Min for 1Minute,
 With 1mA Max Current Leakage.


4. Environmental:

Operating Temperature: -0°C to +50°C
 Storage Temperature: -20°C to +60°C
 Salt Spray: Salt Water Density of 5%, Temperature of 35°C,
 Time 24Hours.

Part Number:

CU2B-R04RDG1-11

USB 2.0 B Type
 R: Receptacle
 04: 4Pins
 R: Right Angle
 11: Product Number
 0: Black
 1: White
 G: Gold Flash
 D: DIP Type

A	07/20/10	RELEASED FOR PRODUCTION	
REV	DATE	DESCRIPTION	
UNLESS OTHERWISE SPECIFIED DIMENSIONS ARE IN MM TOLERANCES ARE:		 凱聯科技股份有限公司 Conn-Link Technology Inc.	
DECIMALS	ANGLES		
.X ± .38	± 3°		
.XX ± .25			
.XXX ± .20			
DO NOT SCALE DRAWING		APPROVALS DRAWN Chris 07/20/10 CHECKED Cindy 07/20/10 APPV Jason 07/20/10	DESCRIPTION USB B Type, Receptacle, R/A, DIP, White, G/F
SHEET	SCALE	DWG. NO.	REV.
1 OF 1	NONE	CU2B-R04-011	A