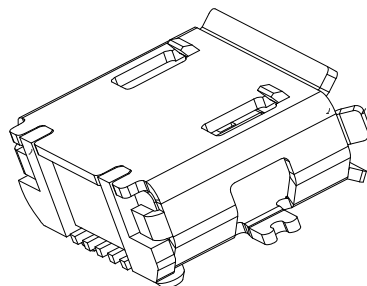
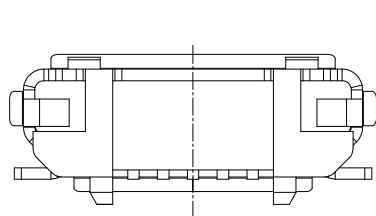
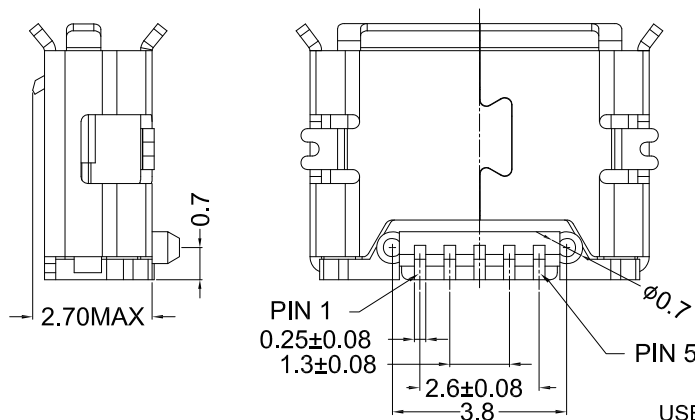
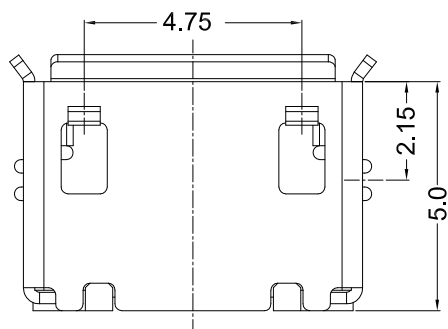


RECOMMENDED PCB LAYOUT



**NOTES:**

**1. Material:**

Housing: LCP+50%G.F, UL 94V-0 rated.  
 Color: Black.  
 Contact: Brass.  
 Plating: Gold Plating over Nickel on Contact Area,  
 Tin Plating on Solder Tail.  
 Shield: Stainless Steel (SUS).  
 Plating: Nickel Plating.

**2. Mechanical:**

Insertion Force: 35N Max.  
 Withdrawal Force: 10N Min Initial, 8-20N after 1000Cycles.  
 Durability: 5,000Cycles

**3. Electrical Specification:**

Current Rating: 1.0Ampere at 30VDC.  
 Contact Resistance: 30mΩ Max Initial, 40mΩ after 1000Cycles.  
 Insulation Resistance: 1000MΩ Min.  
 Dielectric Withstanding Voltage: 100 VAC.

**4. Environmental:**

Operating Temperature: -30°C to +80°C

**Part Number:**

**CU2M-R05RSG0-11**

USB 2.0 Micro Series  
 R: Receptacle Type  
 05: 5Pins  
 R: Right Angle

Product Number:  
 11: Micro B, SMT Shielding  
 0: Black Color  
 G: Gold Flash Plating  
 S: SMT Type

A	02/24/10	RELEASED FOR PRODUCTION	
REV	DATE	DESCRIPTION	
UNLESS OTHERWISE SPECIFIED DIMENSIONS ARE IN MM TOLERANCES ARE:		CAD GENERATED DRAWING, DO NOT MANUALLY UPDATE	
DECIMALS	ANGLES	APPROVALS	DATE
.X ± .38	± 3°	DRAWN Chris	02/24/10
.XX ± .25		CHECKED Cindy	02/24/10
.XXX ± .20		APPV Jason	02/24/10
DO NOT SCALE DRAWING	SHEET 1 OF 1	SCALE NONE	DWG. NO. CU2M-R05-011



DESCRIPTION  
 USB2.0 Micro B Type, 5Pins, Receptacle  
 R/A, SMT, G/F Plating, With SMT Shielding

REV. A