

A

B

C

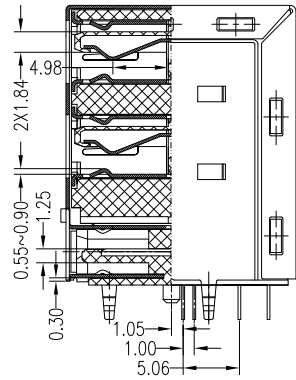
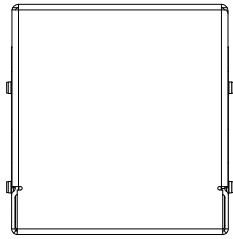
D

A

B

C

D



SEC A-A

USB	
Pin Number	Signal Name
U1	VBUS
U2	D-
U3	D+
U4	GDN

eSATA	
Pin Number	Signal Name
P1	GND
P2	A+
P3	A-
P4	GND
P5	A-
P6	A+
P7	GND

NOTES:

1. eSATA Material:
 Housing: Nylon 46+30%G.F, UL 94V-0 Rated.
 Color: Red.
 Contact: Phosphor Bronze.
 Plating: Gold Plating over Nickel on Contact Area.
 Tin Plating on Solder Tail.
 Shell: SUS 304.

2. eSATA Electrical Specification:
 Operation Voltage: 100VAC Max.
 Current Rating: 1.5 Ampere per Contact.
 Contact Resistance: 30mΩ Max.
 Insulation Resistance: 1000MΩ Min.
 Dielectric Withstanding Voltage: 500 VAC.

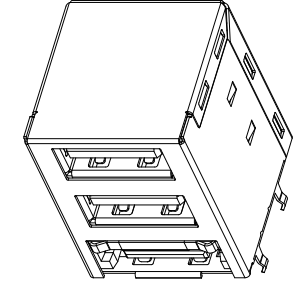
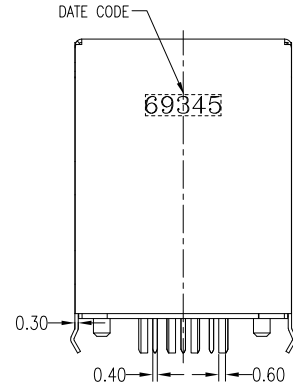
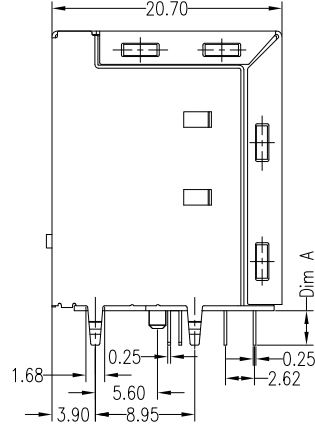
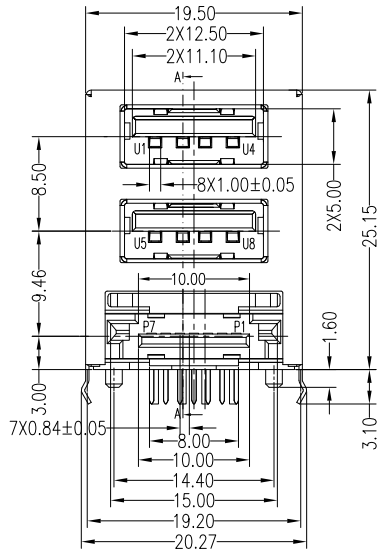
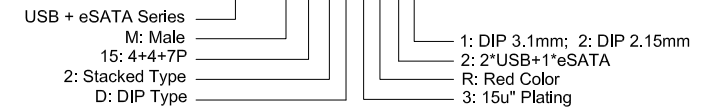
3. USB Material:
 Housing: Nylon 66+30%G.F, UL 94V-0 Rated.
 Color: Black.
 Retainer: Nylon 66+30%G.F, UL 94V-0 Rated.
 Color: Black.
 Contact: Phosphor Bronze.
 Plating: Gold Plating over Nickel on Contact Area.
 Tin Plating on Solder Tail.
 Shell(Outside): Brass
 Plating: Tin Plating on Solder Tail, Ni Underplating over All.
 Shell(Inside): Brass

4. USB Electrical Specification:
 Rated Voltage and Current: 1.5A at 250VAC Min.
 Contact Resistance: 30mΩ Max.
 Insulation Resistance: 1000MΩ Min.
 Dielectric Withstanding Voltage: 500 VAC for 1Minute.

5. Environmental:
 Operating Temperature: -55°C to +85°C

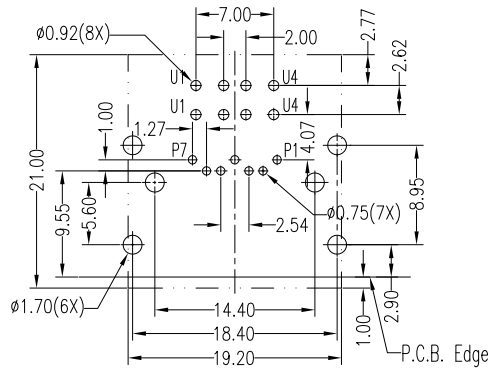
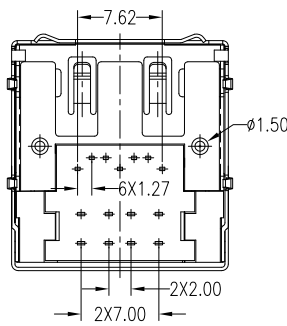
Part Number:

CUES-M152D3R-2X



Unit:mm

Standard	Dim A
CUES-M152D3R-21	3.10
CUES-M152D3R-22	2.15



P.C.B. Layout T=1.60mm
 COMPONENT SIDE

A	11/15/10	RELEASED FOR PRODUCTION		DESCRIPTION	
REV	DATE	UNLESS OTHERWISE SPECIFIED DIMENSIONS ARE IN MM TOLERANCES ARE:			
DECIMALS		APPROVALS		DATE	
ANGLES		DRAWN		11/15/10	
.X ± .38		Chris		11/15/10	
.XX ± .25		CHECKED		11/15/10	
.XXX ± .20		Cindy		11/15/10	
		APPV		11/15/10	
		Jason		11/15/10	
DO NOT SCALE DRAWING		SHEET		DWG. NO.	
		1 OF 1		CUES-M15-D01	
		SCALE		REV.	
		NONE		A	



DESCRIPTION
 2*USB+eSATA Plug, 4+4+7P, Stacked, DIP Type, eSATA Red Color, 15u" Plating