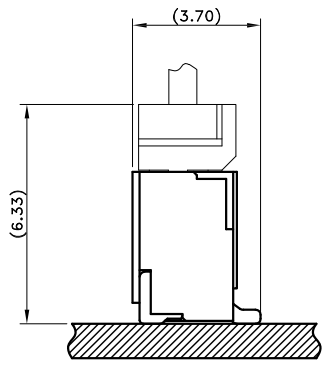
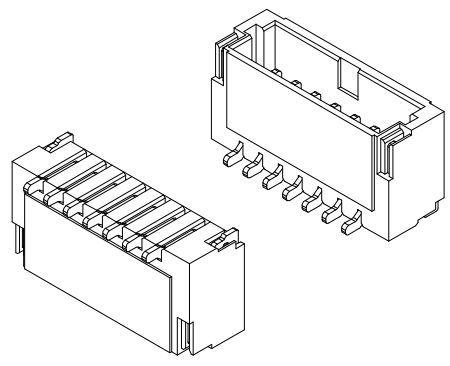


RECOMMEND PCB LAYOUT



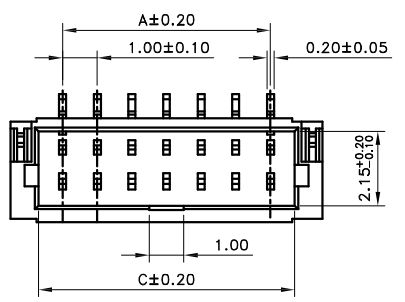
ASSEMBLED ALL PART VIEW



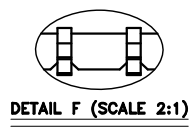
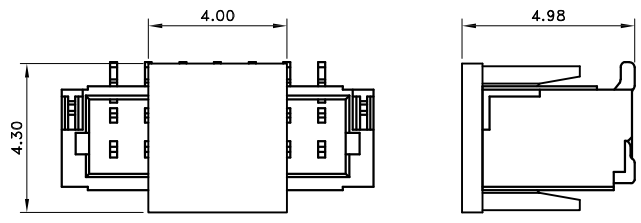
3D VIEW

NOTES:

- Material:**
 Housing: Nylon 9T, UL 94V-0 rated.
 Color: White.
 Contact: Phosphor Bronze.
 Plating: Tin Plating over Nickel.
 Tin Plating on Solder tail.
- Electrical Specification:**
 Operation Voltage: 125V AC/DC.
 Current Rating: 1 Ampere AC/DC per Contact.
 Contact Resistance: 20mΩ Max.
 Insulation Resistance: 100MΩ Min.
 Dielectric Withstanding Voltage: 500V AC per Minute.
- Environmental:**
 Operating Temperature: -25°C to +85°C
 Package: 1,000pcs/Reel, with Cap



ASSEMBLED CAP VIEW



DETAIL F (SCALE 2:1)

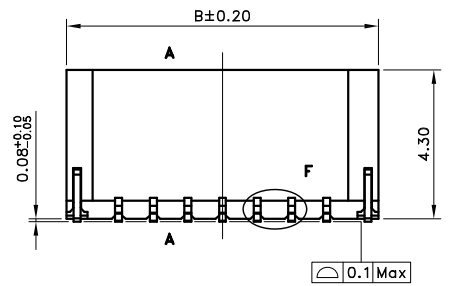
Poles	Dimensions (mm)			Poles	Dimensions (mm)		
	A	B	C		A	B	C
2	1.00	4.00	2.45	13	12.00	15.00	13.45
3	2.00	5.00	3.45	14	13.00	16.00	14.45
4	3.00	6.00	4.45	15	14.00	17.00	15.45
5	4.00	7.00	5.45	16	15.00	18.00	16.45
6	5.00	8.00	6.45	17	16.00	19.00	17.45
7	6.00	9.00	7.45	18	17.00	20.00	18.45
8	7.00	10.00	8.45	19	18.00	21.00	19.45
9	8.00	11.00	9.45	20	19.00	22.00	20.45
10	9.00	12.00	10.45	21	20.00	23.00	21.45
11	10.00	13.00	11.45	22	21.00	24.00	22.45
12	11.00	14.00	12.45				

Part Number:

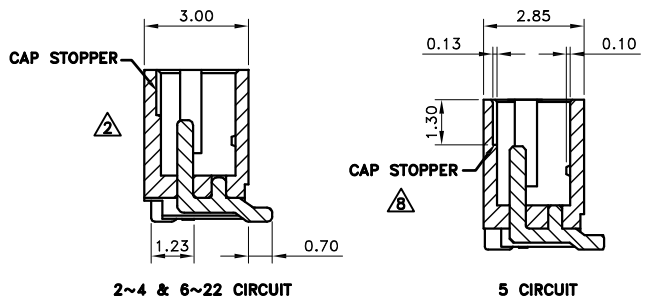
CW10-MXXVST1-54

Wafer 1.00mm Series
 M: Male Type
 XX: 02~22Pins
 V: Vertical Type

Product Number:
 54: 1.00mm Wire to Board
 1: White Color
 T: Tin Plating
 S: SMT Type



SECTION A-A



2~4 & 6~22 CIRCUIT

5 CIRCUIT

A	06/07/12	RELEASED FOR PRODUCTION	
REV	DATE	DESCRIPTION	
UNLESS OTHERWISE SPECIFIED, DIMENSIONS ARE IN MM. TOLERANCES ARE:			
DECIMALS	ANGLES	APPROVALS	DATE
.X ± .38	± 3°	DRAWN Chris	06/07/12
.XX ± .25		CHECKED Cindy	06/07/12
.XXX ± .20		APPV Jason	06/07/12
DO NOT SCALE DRAWING	SHEET 1 OF 1	SCALE NONE	DWG. NO. CW10-MXX-054



1.00mm Wafer, Wire to Board Connector, Vertical, SMD 02~22Pins, White

REV. A