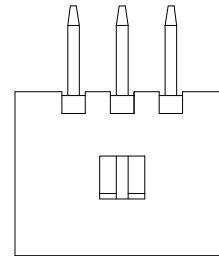
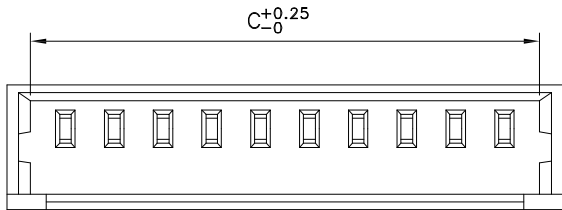
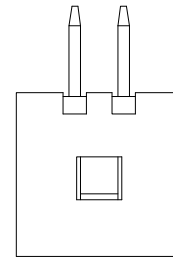
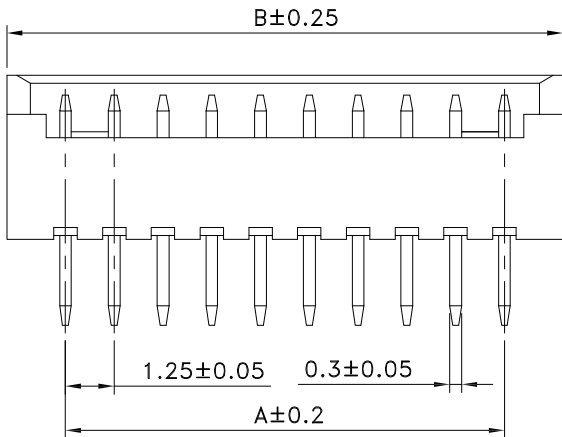


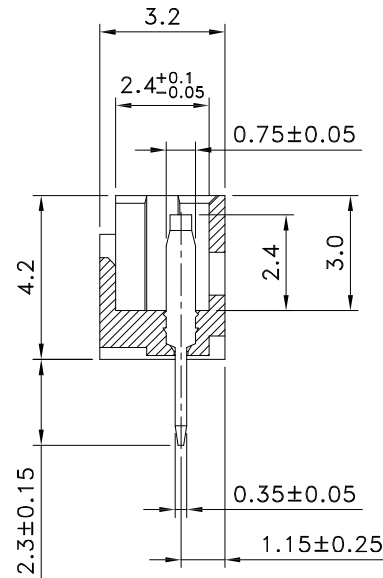
Recommended PCB Layout(Top View)



3 Circuit



2 Circuit



NOTES:

1. Material:

Housing: Nylon 66, UL 94V-0 rated.
 Color: White.
 Contact: Brass.
 Plating: Tin Plating over Nickel.

2. Electrical Specification:

Operation Voltage: 125V AC/DC.
 Current Rating: 1 Ampere AC/DC per Contact.
 Contact Resistance: 20mΩ Max.
 Insulation Resistance: 100MΩ Min.
 Dielectric Withstanding Voltage: 250V AC per Minute.

3. Environmental:

Operating Temperature: -40°C to +85°C


Poles	Part Number	Dimensions (mm)		
		A	B	C
2	CW12-M02VDT1-47	1.25	4.25	3.05
3	CW12-M03VDT1-47	2.50	5.50	4.30
4	CW12-M04VDT1-47	3.75	6.75	5.55
5	CW12-M05VDT1-47	5.00	8.00	6.80
6	CW12-M06VDT1-47	6.25	9.25	8.05
7	CW12-M07VDT1-47	7.50	10.50	9.30
8	CW12-M08VDT1-47	8.75	11.75	10.55
9	CW12-M09VDT1-47	10.00	13.00	11.80
10	CW12-M10VDT1-47	11.25	14.25	13.05
11	CW12-M11VDT1-47	12.50	15.50	14.30
12	CW12-M12VDT1-47	13.75	16.75	15.55
13	CW12-M13VDT1-47	15.00	18.00	16.80
14	CW12-M14VDT1-47	16.25	19.25	18.05
15	CW12-M15VDT1-47	17.50	20.50	19.30

Part Number:

CW12-MXXVDT1-47

Wafer 1.25mm Series
 M: Male Type
 XX: 02~15Pins
 V: Vertical Type

Product Number:
 47: 1.25mm Crimp Style Wafer
 1: White Color
 T: Tin Plating
 D: DIP Type

A	02/18/08	RELEASED FOR PRODUCTION		
REV	DATE	DESCRIPTION		
UNLESS OTHERWISE SPECIFIED, DIMENSIONS ARE IN MM. TOLERANCES ARE:		 凱聯科技股份有限公司 Conn-Link Technology Inc.		
DECIMALS	ANGLES			
.X ± .38	± 3°			
.XX ± .25				
.XXX ± .20		APPROVALS	DATE	
		DRAWN	Chris	02/18/08
		CHECKED	Cindy	02/18/08
		APPV	Jason	02/18/08
DO NOT SCALE DRAWING	SHEET 1 OF 1	SCALE NONE	DWG. NO. CW12-MXX-047	REV. A