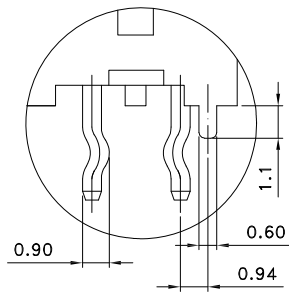
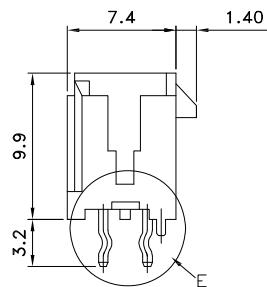
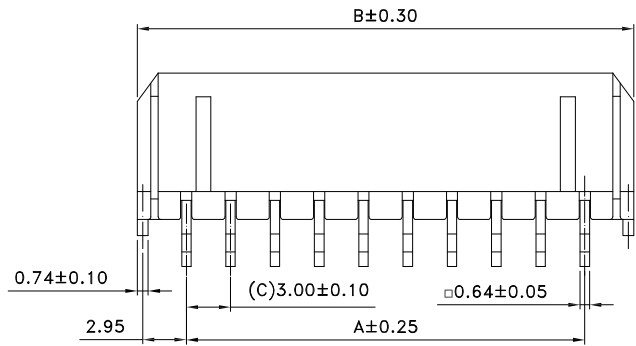
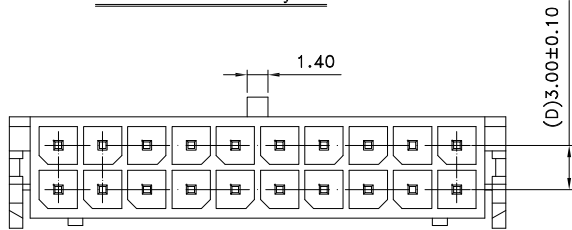
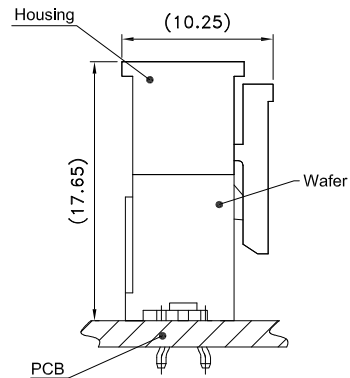
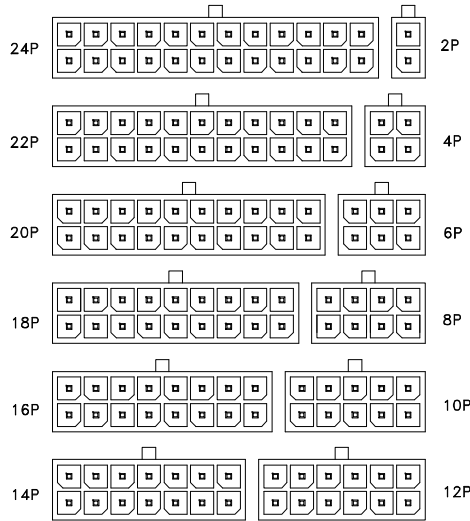


Recommend PCB Layout



Detail E  
SCALE 2:1



Assemble State

NOTES:

1. Material:

Housing: Nylon 66, UL 94V-0 Rated.  
Color: Black.  
Contact: Brass.  
Plating: Tin Plating over Nickel.

2. Electrical Specification:

Current Rating: 5 Ampere AC/DC per Contact.  
Contact Resistance: 20mΩ Max.  
Insulation Resistance: 1,000MΩ Min.  
Dielectric Withstanding Voltage: 1,500V AC per Minute.

3. Environmental:

Operating Temperature: -40°C to +105°C.

Poles	Part Number	Dimensions (mm)	
		A	B
2	CW30-M02VDT0-36	---	6.65
4	CW30-M04VDT0-36	3.00	9.65
6	CW30-M06VDT0-36	6.00	12.65
8	CW30-M08VDT0-36	9.00	15.65
10	CW30-M10VDT0-36	12.00	18.65
12	CW30-M12VDT0-36	15.00	21.65
14	CW30-M14VDT0-36	18.00	24.65
16	CW30-M16VDT0-36	21.00	27.65
18	CW30-M18VDT0-36	24.00	30.65
20	CW30-M20VDT0-36	27.00	33.65
22	CW30-M22VDT0-36	30.00	36.65
24	CW30-M24VDT0-36	33.00	39.65

Part Number:

CW30-MXXVDT0-36

Wafer 3.0mm Series  
M: Male Type  
XX: XXPins  
V: Vertical Type

Product Number:  
36: Micro-Fit Dual Rows  
0: Black Color  
T: Tin Plating  
D: DIP Type

A	09/15/14	RELEASED FOR PRODUCTION	
REV	DATE	DESCRIPTION	
UNLESS OTHERWISE SPECIFIED, DIMENSIONS ARE IN MM. TOLERANCES ARE:		<p>凱聯科技股份有限公司 Conn-Link Technology Inc.</p>	
DECIMALS	ANGLES		
.X ± .38	± 3°		
.XX ± .25			
.XXX ± .20		APPROVALS	DATE
DRAWN	Chris	09/15/14	
CHECKED	Cindy	09/15/14	
APPV	Jason	09/15/14	
DO NOT SCALE DRAWING	SHEET 1 OF 1	SCALE NONE	DWG. NO. CW30-MXX-326
			REV. A