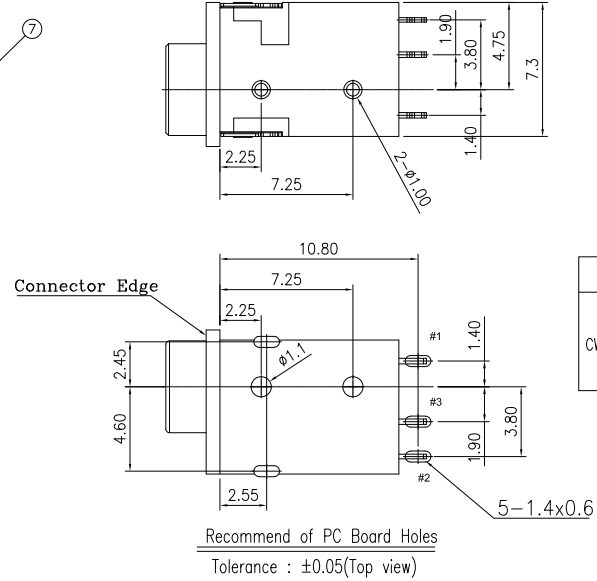
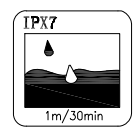


PART NO.	PIN	SCHEMATIC
CWPC-133RDG0-P1	Ø1.3	



NOTES:

- Mechanical:**
 Plug Insertion Force: 0.3~3.0Kg Force Initial.
 0.3~2.0Kg Force after Life Test.
 Plug Extraction Force: 0.3~3.0Kg Force Initial.
 0.3~2.0Kg Force after Life Test.
 Durability: 5,000Cycles Min.
- Electrical Specification:**
 Rating: DC 24V 2A.
 Contact Resistance: 50mΩ Max Initial.
 100mΩ Max after Life Test.
 Insulation Resistance: 100MΩ Min Measured by 500V DC.
 Dielectric Withstanding Voltage: 500V AC per Minute.
- Environmental:**
 Operating Temperature: -25°C to +70°C.
 Soldering Heat Resistance Reflow Soldering 255°C±5°C.
 Plug Interface Dimensions Conform to EIAJ RC-5321 Spec.
 Standard Package: Tape & Reel.
 Water Proofness: Based on IPX7 (1m, 30minute.)
 For reflow soldering lead-free products & the O-ring can not go through the IR process with waterproof connector together.
 Housing and O-Rings are Packed Separately.



Part Number:

CWPC-133RDG0-P1

Waterproof Connector
 Center Pin
 13: 1.3mm
 3: 3Pins
 R: Right Angle

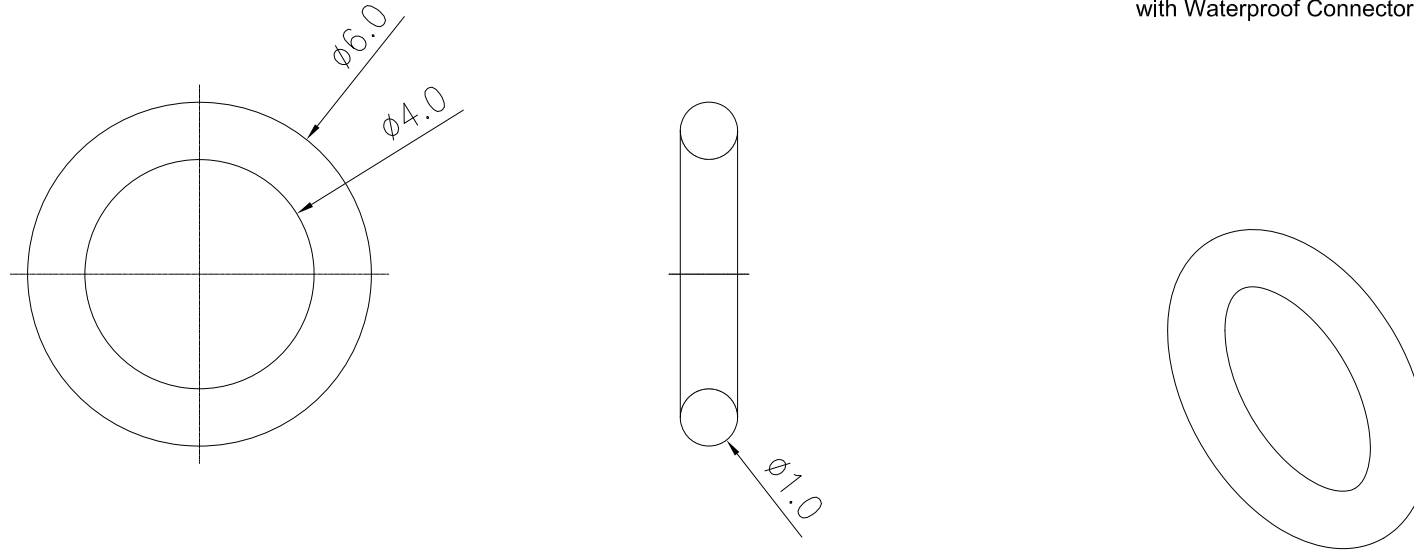
Product Number:
 P1: DC Jack H=5.0mm
 0: Black Color
 G: Gold Plating
 D: DIP Type

NO.	DESCRIPTION	QTY	MATERIAL	REMARK	DO NOT SCALE DRAWING	SHEET	SCALE	DWG. NO.	REV.					
7	SHIELD	1	BRASS	Ni Plating	A	04/17/19	RELEASED FOR PRODUCTION	DESCRIPTION						
6	GLUE	1	SILICON	White Color	REV	DATE	DESCRIPTION							
5	COVER	1	PA10T, UL 94V-0	Black Color	UNLESS OTHERWISE SPECIFIED, DIMENSIONS ARE IN MM. TOLERANCES ARE:									
4	HOUSING	1	PA10T, UL 94V-0	Black Color	DECIMALS	ANGLES	CAD GENERATED DRAWING, DO NOT MANUALLY UPDATE							
3	TERMINAL #3	1	PHOSPHOR BRONZE	MB: Ni, Gold Flash	.X ± .38	± 3°	APPROVALS	DATE	 凱聯科技股份有限公司 Conn-Link Technology Inc.					
2	TERMINAL #2	1	PHOSPHOR BRONZE	MB: Ni, Gold Flash	.XX ± .25		DRAWN	Chris		04/17/19				
1	TERMINAL #1	1	PHOSPHOR BRONZE	MB: Ni, Gold Flash	.XXX ± .20		CHECKED	Cindy		04/17/19				
							APPV	Jason		04/17/19				
							SHEET	1 OF 2	SCALE	NONE	DWG. NO.	CWPC-133-0P1	REV.	A



NOTES:

1. Hardness: 70°.
2. Housing and O-Rings are Packed Separately.
3. The O-Ring CAN NOT Go Through the IR Process with Waterproof Connector Together.



					A	04/17/19	RELEASED FOR PRODUCTION							
					REV	DATE	DESCRIPTION							
					UNLESS OTHERWISE SPECIFIED DIMENSIONS ARE IN MM TOLERANCES ARE:		CAD GENERATED DRAWING, DO NOT MANUALLY UPDATE		 凱聯科技股份有限公司 Conn-Link Technology Inc.					
					DECIMALS	ANGLES	APPROVALS	DATE						
					.X ± .38	± 3°	DRAWN	Chris		04/17/19				
					.XX ± .25		CHECKED	Cindy		04/17/19				
					.XXX ± .20		APPV	Jason		04/17/19				
1	O-RING	1	SILICONE	UL 94V-0 Rated	DO NOT SCALE DRAWING		SHEET	2 OF 2	SCALE	NONE	DWG. NO.	CWPC-133-0P1-OR	REV.	A
1		2	3	4	5	6	7	8						