



Specification:

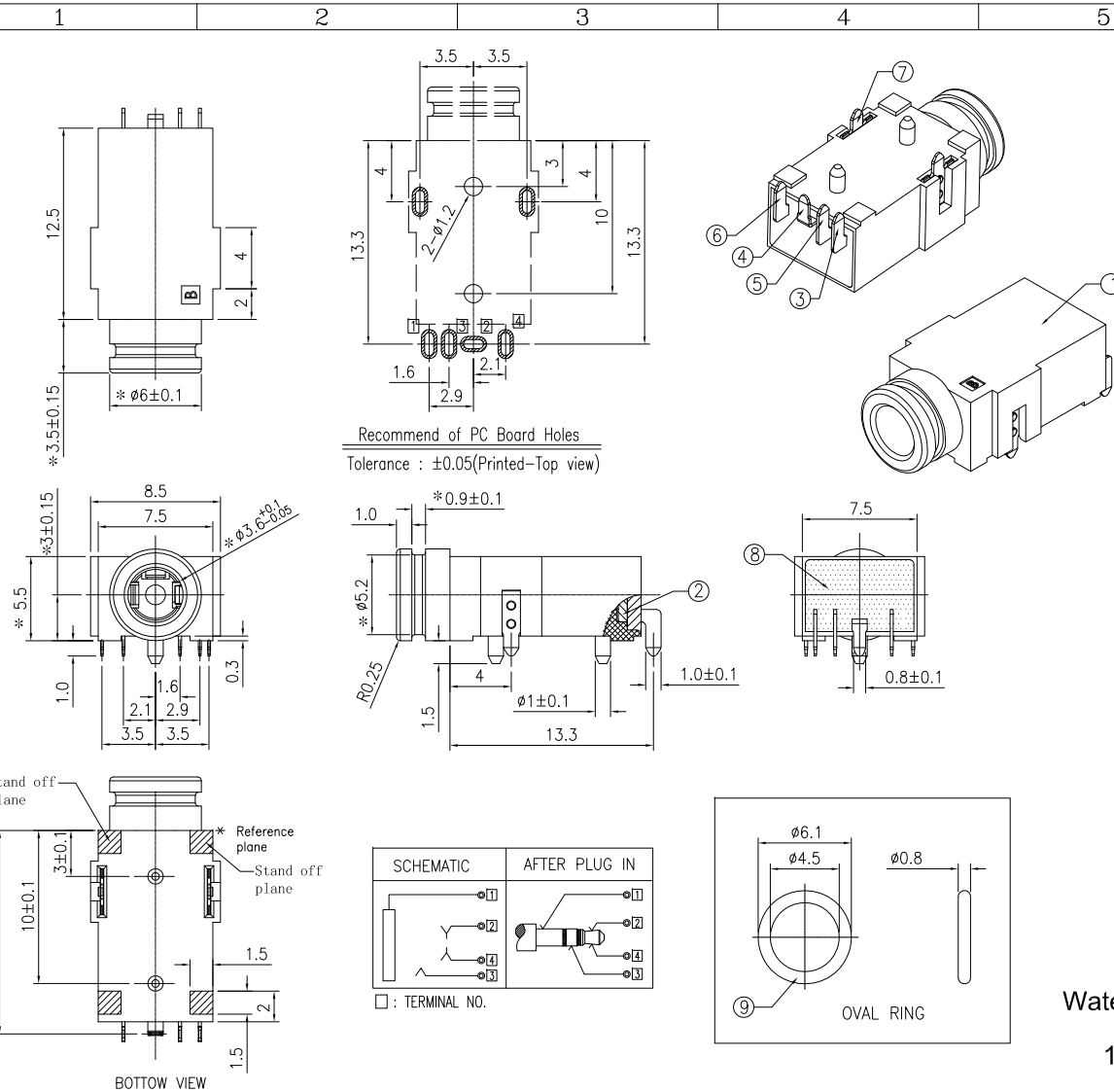
1. Rating: 12V, 1A.
 2. Contact Resistance: 30mΩ Maximum.
 3. Withstand Voltage: 500V AC for One Minute.
 4. Durability: 5,000 Insertion/Removal Cycles Minimum.
 5. Insertion Force: 3.0Kgf Max.
 6. Withdrawal Force: 0.3Kgf Min.
 7. Water Proofness: This Product is Conform to JIS Standard IPX7(1m, 30min) by Waterproof Jack.
 8. Using Plug: 3.5mm, 3Poles Stereo Plug Provided That They Conform to JIS C6560.
 9. Oval Ring:
 - 9-1. Hardness of Silicone Rubber: 70°.
 - 9-2. Horizontal Flash 0.10mm Max.; Longitudinal Flash 0.10mm Max.
 10. Housing with O-Ring's Seal Area Burrs is 0.05mm Max.
- Notes:** For reflow soldering lead-free products & the O-ring can not go through the IR process with waterproof connector together.
11. Housing and O-Rings are Packed Separately.
 12. The Connector Can Go Through the IR Process Once Only.

Part Number:

CWPC-314RDT0-A4

Waterproof Connector
 3: 3.5mm
 1: Schematic Type
 4: 4Pins
 R: Right Angle

Product Number:
 A4: Audio Jack H=5.5mm
 0: Black Color
 T: Tin Plating
 D: DIP Type



9	OVAL RING	1	SILICONE	GREEN
8	BOND	1	EPOXY	
7	TERMINAL	2	C2680R-H T=0.20	MB: Ni, Tin Plating
6	TIP SPRING-2	4	C5210R-EH T=0.20	MB: Ni, Tin Plating
5	RING SPRING-2	3	C5210R-EH T=0.20	MB: Ni, Tin Plating
4	TIP SPRING-1	2	C5210R-EH T=0.20	MB: Ni, Tin Plating
3	EARTH SPRING	1	C5210R-EH T=0.20	MB: Ni, Tin Plating
2	COVER	1	PA9T, UL 94V-0	Black Color
1	HOUSING	1	PA9T, UL 94V-0	Black Color
NO.	DESCRIPTION	QTY	MATERIAL	REMARK
1		2		
		3		
		4		

A	01/17/17	RELEASED FOR PRODUCTION	
REV	DATE	DESCRIPTION	
UNLESS OTHERWISE SPECIFIED, DIMENSIONS ARE IN MM. TOLERANCES ARE:			
DECIMALS	ANGLES		
.X ± .38	± 3°		
.XX ± .25			
.XXX ± .20			
DO NOT SCALE DRAWING		SCALE	NONE
SHEET	1 OF 1	DWG. NO.	CWPC-314-0A4
		REV.	A

DESCRIPTION: Waterproof Connector, Ear Phone Jack, 3.5mm, 4Pins, 3Poles, R/A, DIP, H=5.5mm, Black Color, Oval Ring